



System Monitoring
SUNNY MATRIX
User Manual



Table of Contents

1	Information about this Manual	7
1.1	Area of Validity	7
1.2	Additional Information	7
1.3	Symbols Used	8
1.4	Terminology	8
2	The Sunny Matrix	9
2.1	Field of application	9
2.2	Function Overview	10
2.3	System Requirements	11
2.4	Device Overview	12
3	Safety	13
3.1	Appropriate Usage	13
3.2	Safety Instructions	13
4	Unpacking	14
4.1	Packing List	14
4.2	Identifying the Sunny Matrix	15
5	Assembly	16
5.1	Safety during Mounting	16
5.2	Requirements for the Mounting Location	16
5.3	Mounting Methods	17
5.3.1	Mounting the Sunny Matrix with Brackets	17
5.3.2	Mounting the Sunny Matrix with Clips	22
6	Commissioning	27
6.1	Information on Commissioning	27
6.2	Connecting the power supply	27

6.3	Network Integration	28
6.3.1	Integrating the Sunny Matrix into the network automatically	29
6.3.2	Integrating the Sunny Matrix into the network manually.	29
6.4	Adding Sunny WebBox Devices.	32
7	Operation	33
7.1	The Sunny Matrix User Interface	33
7.1.1	Logging into the Sunny Matrix	34
7.2	Displaying of text and values	35
7.2.1	Step 1: creating a slide	35
7.2.2	Step 2: Creating a slide show.	40
7.3	Viewing the preview of the current slide show	43
7.4	Viewing overview of the slide shows	43
7.5	Deleting a slide show	44
7.6	Creating an empty slide show	44
7.7	Standard slide show (10)	44
7.7.1	Switching the Standard Slide Show on / off.	44
7.8	Setting further display areas	45
8	Setings.	47
8.1	Time settings	47
8.1.1	Selecting the time source.	47
8.1.2	Setting Date and Time	47
8.1.3	Changing the time and date format	47
8.2	Changing the Password	48
8.3	Changing the brightness of the display.	48
8.4	Changing the speed of the ticker text	48
8.5	Setting units.	49
8.5.1	Changing measuring units.	49
8.5.2	Changing the number of decimal places	49
8.5.3	Changing the CO ₂ Factor.	49

8.5.4	Changing temperature units	50
8.5.5	Hide / show units	50
8.5.6	switching on / off spaces before units	50
8.6	Character set	51
8.6.1	Setting special characters	51
8.6.2	Special characters for the Web Text	53
8.7	Sunny WebBox connection	54
8.7.1	Add further Sunny WebBox devices	54
8.7.2	Deleting Sunny WebBox	54
8.7.3	Assigning / changing Master Sunny WebBox	55
8.8	Restarting Sunny Matrix	57
8.9	Restoring factory settings (reset)	58
8.10	Updating the firmware	60
9	Maintenance and Care	61
9.1	Maintenance	61
9.1.1	Replacing electricity cable	61
9.1.2	Replacing or extending the patch cable	63
9.2	Care	69
10	Decommissioning	70
10.1	Disassembling the Sunny Matrix	70
10.2	Packaging the Sunny Matrix	70
10.3	Storing the Sunny Matrix	70
10.4	Disposing of the Sunny Matrix	70
11	Troubleshooting	71
12	Technical Data	73
13	Menu Overview	75
14	Glossary	76

15 Contact 77

1 Information about this Manual

1.1 Area of Validity

This manual is valid for the Sunny Matrix from the Sunny Matrix firmware version 2.10 and later.






1.2 Additional Information

You can find further information on the following subjects in the "Downloads" area of www.SMA.de/en.

- Utilization of DynDNS - how to access the Sunny WebBox via the internet.
- CO₂-factor - what the CO₂ factor is and why it varies regionally.

1.3 Symbols Used

The following types of safety precautions and general information appear in this document as described below.

	DANGER!
DANGER indicates a hazardous situation which, if not avoided, will result in death or serious injury.	
	WARNING!
WARNING indicates a hazardous situation which, if not avoided, could result in death or serious injury.	
	CAUTION!
CAUTION indicates a hazardous situation which, if not avoided, could result in minor or moderate injury.	
	NOTICE!
NOTICE indicates a situation that can result in property damage, if not avoided.	
	Information 'Information' provides valuable tips for the optimal operation of your product.

1.4 Terminology

This user manual uses the following terminology:

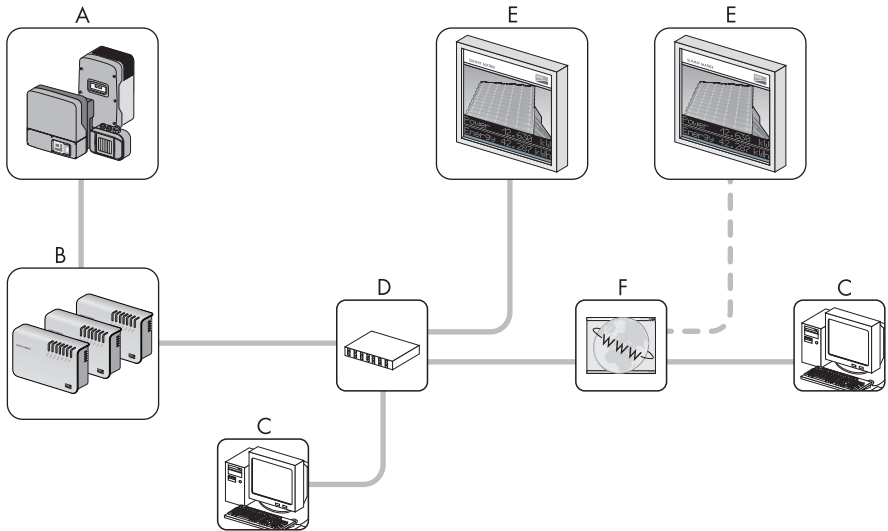
Type	Example of terminology
Menu, individual menu point	Select "File".
several menu points	Select "File > Extras".
Button	Select [Save].
Enter	Enter "User ID"

2 The Sunny Matrix

2.1 Field of application

The Sunny Matrix is a display which shows the data of a PV system via LEDs in large characters. Sunny Matrix procures the data for the display from the Sunny WebBox via the Ethernet from the Sunny WebBox, via the local network or via the Internet. You can also connect the Sunny Matrix directly to the computer without a Sunny WebBox and without an internet connection.

You can carry out various settings for the display on the Sunny Matrix using the Sunny Matrix user interface. The maximum observation range of the Sunny Matrix is 30 m.



Position	Name
A	Inverter from SMA Solar Technology and Sunny SensorBox
B	Sunny WebBox
C	Computer
D	Router or Switch
E	Sunny Matrix
F	Internet

2.2 Function Overview

- Display of characters (letters, numbers, symbols) via LEDs
- Integrated user interface for the setting of and operation of the Sunny Matrix.
- Changing displays by means of day and night switching
- Automatic ticker function for longer lines of text
- Automatic data transfer with the Sunny WebBox
- Automatic brightness control of the display
- Display of the data from up to 50 Sunny WebBox devices by summing the data.
- Display of data 1 Sunny SensorBox per PV system
- Save and load the configuration of the Sunny Matrix with the Sunny Matrix Admin Tool
- Display of general data:
 - Date and time (of the Sunny Matrix or the Master Sunny WebBox). Possible from the Sunny WebBox firmware version 1.50.
 - Customer specific text
 - Customer specific web text
- Display of PV system data:
 - Current performance
 - Daily energy
 - Overall energy
 - CO₂ emission avoidance
- Display of the Sunny SensorBox data, if the relevant sensor is connected to the Sunny SensorBox:
 - Ambient temperature
 - Module temperature
 - Solar irradiation (the integrated irradiation sensor of the Sunny SensorBox)
 - Wind speed
- Display of the charge status of the Sunny Island battery.

New functions

The firmware version 2.10 of the Sunny Matrix contains the following new functions:

- The Sunny Matrix can retrieve data from up to 50 Sunny WebBox devices. The Sunny Matrix adds the data of the Sunny WebBox devices.
 - See section 6.4 “Adding Sunny WebBox Devices” (page 32).
- 1 Sunny WebBox can be assigned as Master Sunny WebBox.

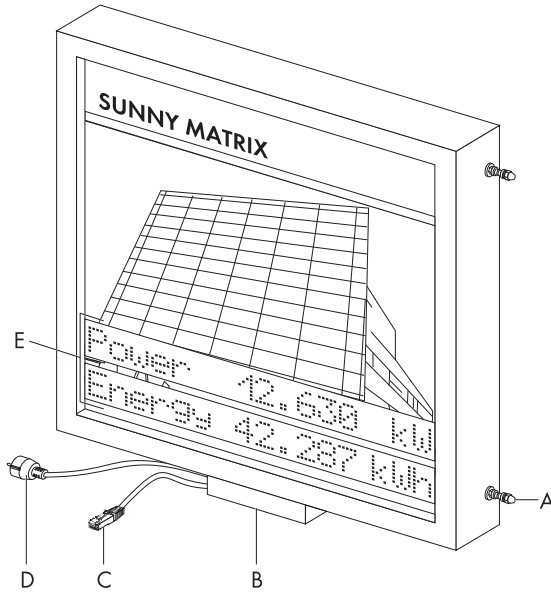
The Sunny Matrix can procure the date, time and environmental data of a Sunny SensorBox and the charge state of a Sunny Island battery from the Master Sunny WebBox.

 - See section 8.7.3 “Assigning / changing Master Sunny WebBox” (page 55).
- The Sunny Matrix Admin Tool is available in the download area of www.SMA.de/en for the saving of the Sunny Matrix configuration (Sunny WebBox connections, slides, slide shows etc.). The Sunny Matrix Admin Tool can be installed in the Sunny Matrix from the firmware version 2.10 and above. You require the Sunny Matrix Admin Tool in order to be able to update the Sunny Matrix firmware.
- The Sunny Matrix has a reset button.
 - See section 8.9 “Restoring factory settings (reset)” (page 58).
- A new start of the Sunny Matrix is possible via the user interface.
 - See section 8.8 “Restarting Sunny Matrix” (page 57).
- Instead of the IP address of a Sunny WebBox, a DNS address can also now be entered.
 - See section 8.7.1 “Add further Sunny WebBox devices” (page 54).
- The firmware version and the serial number are to be found on the lower right of the user interface.
 - See section 4.2 “Identifying the Sunny Matrix” (page 15).
- The CO₂-factor can be set within a range of 0.1 to 0.9.

2.3 System Requirements

- Web browser:
 - Microsoft Internet Explorer 6, 7, 8
 - Mozilla Firefox 2.0.02, 3.0.10
- Adobe Flash Player

2.4 Device Overview



Position	Name
A	Stud bolts for wall assembly with brackets
B	Connection box
C	Red patch cable for the connection of a router or switch. The patch cable is suitable for both indoor and outdoor use.
D	Electricity cable for connection to a plug socket. The electricity cable is only suitable for indoor use.
E	Display Area

3 Safety

3.1 Appropriate Usage

The Sunny Matrix is suitable for both indoor and outdoor use. The ambient temperature must be between -25 °C and +60 °C.

3.2 Safety Instructions

Please follow all operating and safety instructions in this manual. Failure to follow these instructions may result in damage to the device and risk of personal injuries.

General information in order to avoid personal injury.

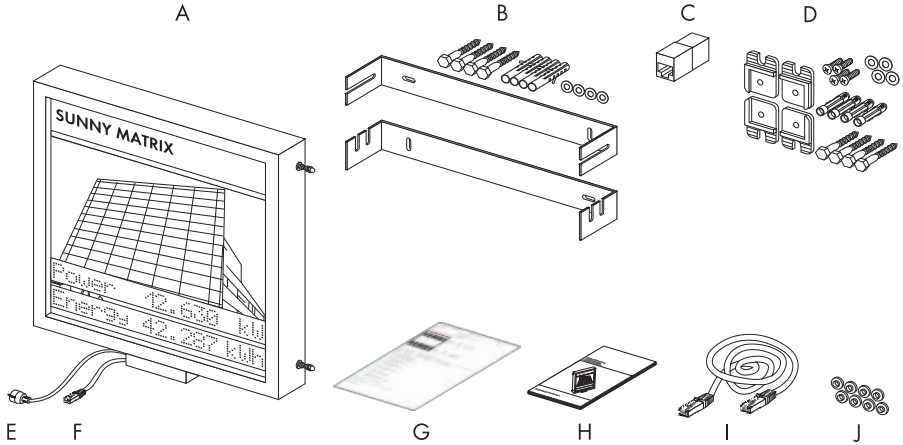
- Risk of lethal electric shock as a result of incorrect working on electrical devices:
 - All electrical work on the Sunny Matrix must only be carried out by qualified personnel.
- Mount the Sunny Matrix out of reach of children.
- Risk of lethal electric shock when touching a porous electricity cable:
 - The electricity cable is not suitable for installing outdoors. UV radiation makes the electricity porous and touching the un-isolated wires carries the risk of lethal injury by electric shock. Only use an electricity cable that is suitable for outdoor use in outdoor areas.
- Danger of injury due to heavy weight (25 kg) of the Sunny Matrix with the dimensions 800 mm x 1000 mm x 120 mm:
 - Transport the Sunny Matrix with two people or with a cart.
 - Mount the Sunny Matrix with at least two people.

General information in order to avoid damage to the device.

- Do not press on the screen of the Sunny Matrix. This could damage the screen.
- Damage as a result of penetrating rain or dust:
 - Do not remove the 4 stud bolts on the sides of the Sunny Matrix (stud bolts, see section 2.4 "Device Overview" (page 12)).

4 Unpacking

4.1 Packing List



Position	Number	Name
A	1	Sunny Matrix
B	1	Wall mounting brackets are made up of: 2 brackets, 4 screws, 4 wall anchors, 4 washers
C	1	Adaptor for the extension of the patch cable or for connection of the crossover cable. The adaptor is only suitable for use indoors.
D	1	Wall mounting clips are made up of: 4 clips, 2 x 4 screws, 4 wall anchors, 4 washers.
E	1	Connected electricity cable (only suitable for indoor use)
F	1	Connected red patch cable (suitable for both indoor and outdoor use)
G	1	Manual
H	1	Supplemental sheet with preset display areas
I	1	Blue crossover cable (only suitable for use indoors)
J	8	Spare washers for the stud bolts when using wall mounting brackets.

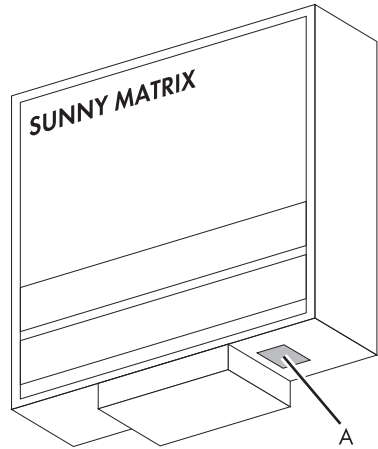
4.2 Identifying the Sunny Matrix

Type Label

You can identify the Sunny Matrix using the type label. The type label can be found on the underside of the Sunny Matrix.

The Type Label contains the following information:

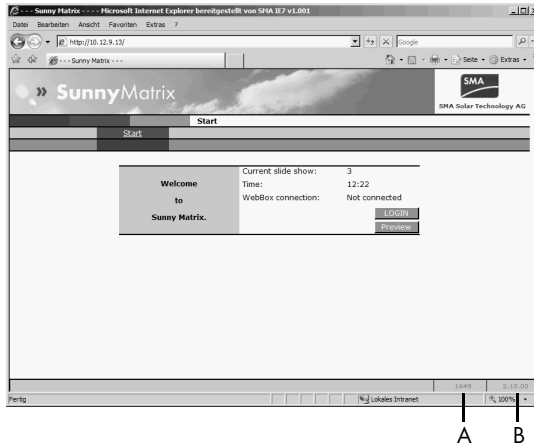
- Nominal voltage
- Serial number
- Nominal current
- Sunny Matrix version (hardware version)
- Option (order number and order option)



Position	Name
A	Type Label

Firmware version

The firmware version is shown on the lower right of the user interface. You can also access the firmware version on the user interface via "Settings > System".



Position	Name
A	Serial number of the system board
B	Firmware version

5 Assembly

5.1 Safety during Mounting



CAUTION!

Danger of injury due to heavy weight (25 kg) of the Sunny Matrix with the dimensions 800 mm x 1000 mm x 120 mm.

- Transport the Sunny Matrix with two people or with a cart.
- Mount the Sunny Matrix with at least two people.

5.2 Requirements for the Mounting Location

Please note the following requirements for the mounting location:

- The Sunny Matrix is suitable for both indoor and outdoor installation.
- The Sunny Matrix requires a plug socket (100 V AC to 240 V AC) for the power supply.
 - The electricity cable is not suitable for use outdoors. Replace the electricity cable before mounting with an electricity cable suitable for use outdoors.
 - The electricity cable is 1.70 m long. If the electricity cable is too short, replace it with a longer one before mounting.

How to replace the electricity cable is described in section 9.1.1 "Replacing electricity cable" (page 61).

- The Sunny Matrix requires an Ethernet network connection. The Sunny Matrix patch cable is ca. 2.70 m long and is suitable for both indoor and outdoor use. If the patch cable is too short, extend it before mounting or replace it with a suitably long patch cable. How to extend or replace the patch cable is described in section 9.1.2 "Replacing or extending the patch cable" (page 63).
- The load bearing capacity of the wall must be sufficient for the selected method of mounting.
- Select a surface that is suitable for the weight of the Sunny Matrix. The weight of the Sunny Matrix is dependent on its dimensions (W/H/D):
 - 800 mm x 400 mm x 120 mm = 15 kg
 - 800 mm x 800 mm x 120 mm = 20 kg
 - 800 mm x 1.000 mm x 120 mm = 25 kg
- The screws and wall anchors provided are standard materials, and not suitable for every surface. Use fastening materials that are suitable for the surface and the weight of the Sunny Matrix.

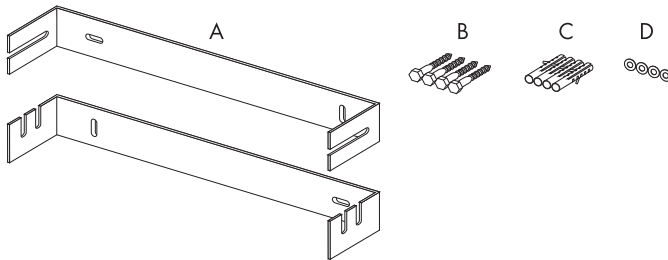
5.3 Mounting Methods

You can mount the Sunny Matrix to a wall with brackets or with clips. The difference between the mounting methods is that you can affix the Sunny Matrix with the brackets not only vertically, but also with a forward or backward tilt.

- Mounting with brackets, see section 5.3.1 "Mounting the Sunny Matrix with Brackets" (page 17).
- Mounting with clips, see section 5.3.2 "Mounting the Sunny Matrix with Clips" (page 22).

5.3.1 Mounting the Sunny Matrix with Brackets

Mounting accessories provided

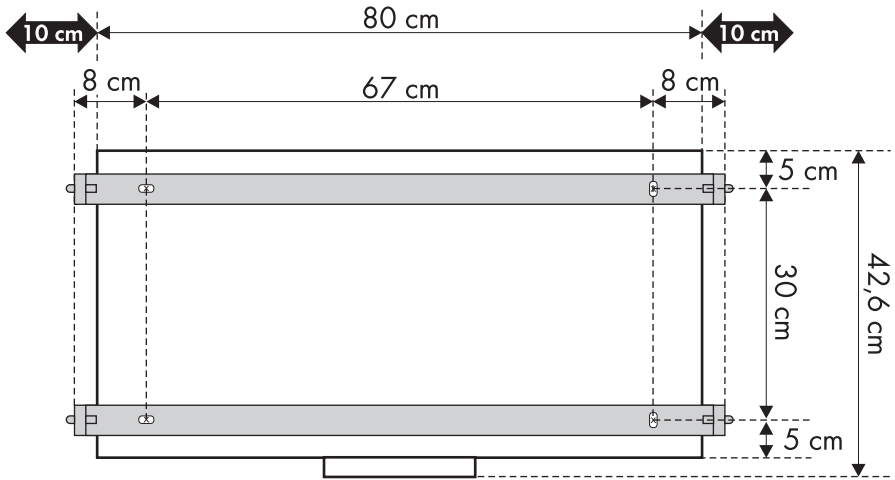


Position	Number	Name
A	2	Brackets
B	4	Hexagonal screws (10 mm x 100 mm)
C	4	Wall anchors
D	4	Washers

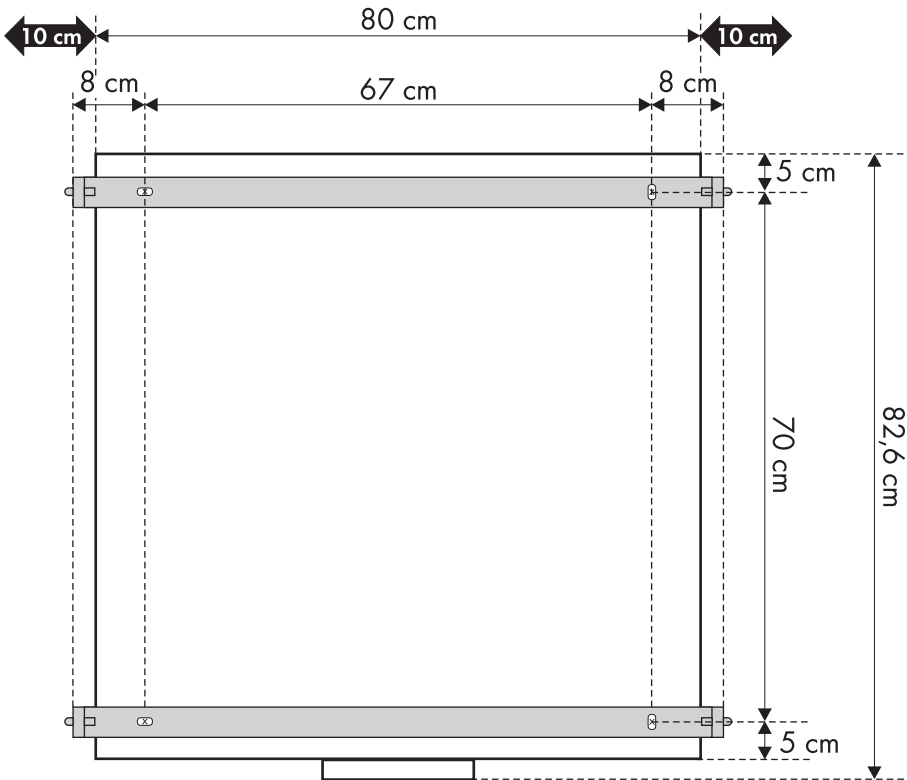
Fixing the Brackets to a wall

1. Select the mounting location taking into consideration the requirements for the mounting location, as described in section 5.2 "Requirements for the Mounting Location" (page 16).
2. With the help of one of the following diagrams, which relates to the dimensions of the Sunny Matrix, determine the mounting area and mark the drill holes. Allow around 10 cm to the left and right of the Sunny Matrix, in order that the Sunny Matrix can be grasped and hung up.

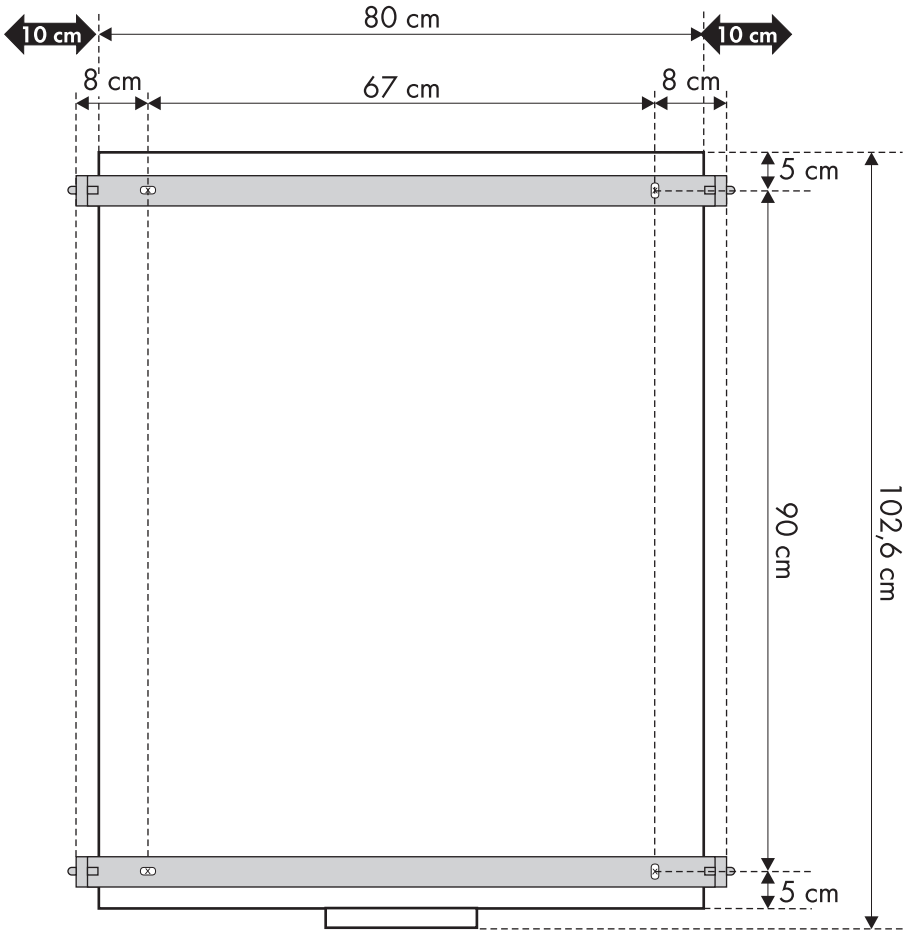
Sunny Matrix with dimensions 80 cm x 40 cm



Sunny Matrix with dimensions 80 cm x 80 cm

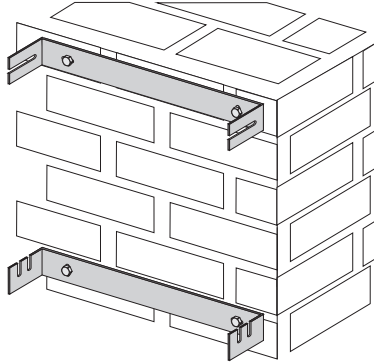


Sunny Matrix with dimensions 80 cm x 100 cm



3. Drill the holes.
4. Insert wall anchors into the drill holes.
5. Place the washers onto the screws.

- Fix the brackets onto the wall using the screws. Mount the brackets with 2 x 2 grooves below. Mount the brackets with 2 x 1 grooves above.



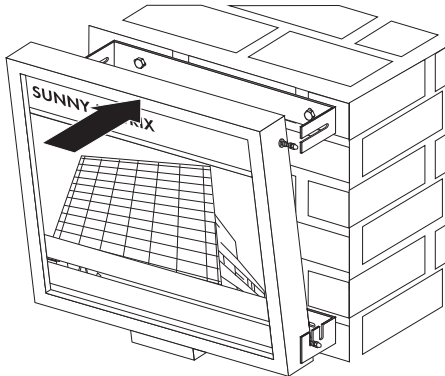
Mounting the Sunny Matrix to the Brackets



Mounting from this point on is only possible with at least 2 people.

The brackets have grooves with which you can affix the Sunny Matrix vertically, tilted forwards or tilted backwards.

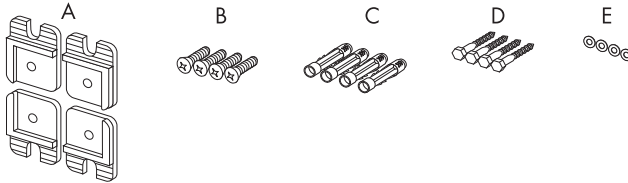
- Hang the Sunny Matrix using the stud bolts into the desired groove in the lower bracket and fit into the upper bracket. Hold onto the Sunny Matrix until mounting is complete.



- Screw in the nuts of the 4 stud bolts firmly.
 - Check whether the Sunny Matrix sits firmly in the brackets and has not become displaced. If necessary, tighten the nuts more firmly.
- The Sunny Matrix is now mounted to the wall.

5.3.2 Mounting the Sunny Matrix with Clips

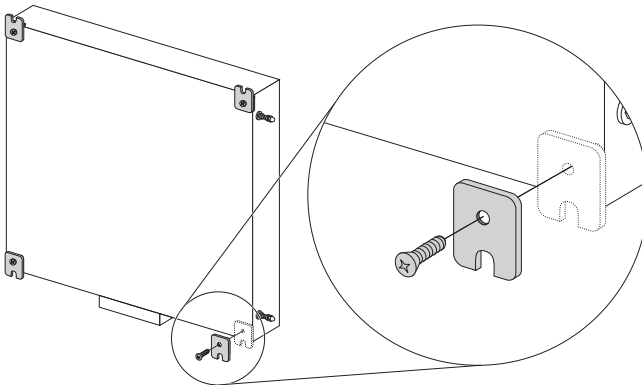
Mounting accessories provided



Position	Number	Name
A	4	Clips
B	4	Countersunk Phillips screws for fixing the clips to the Sunny Matrix.
C	4	Wall anchors
D	4	Hexagonal screws (6 mm x 60 mm) for fixing the Sunny Matrix with the clips to a wall.
E	4	Washers

Fixing the clips to the Sunny Matrix

1. Fix the 4 clips to the rear side of the Sunny Matrix using the supplied countersunk Phillips screws as shown in the diagram.

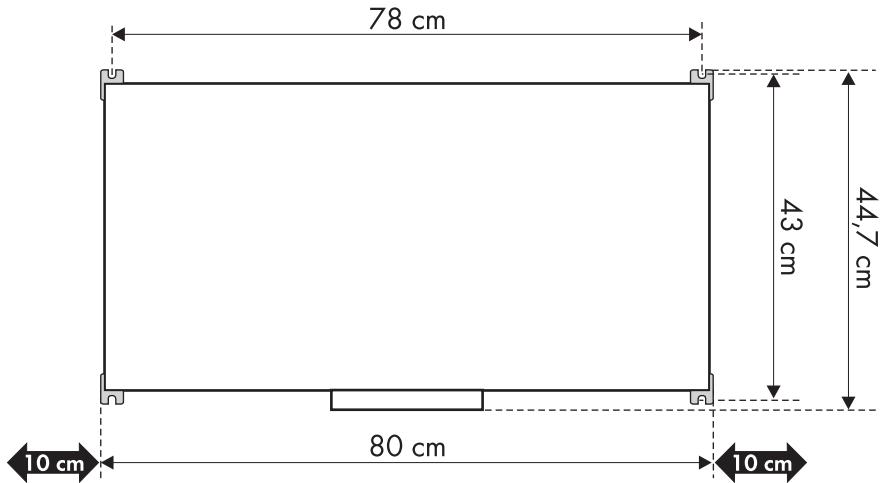


- The clips are mounted to the Sunny Matrix.

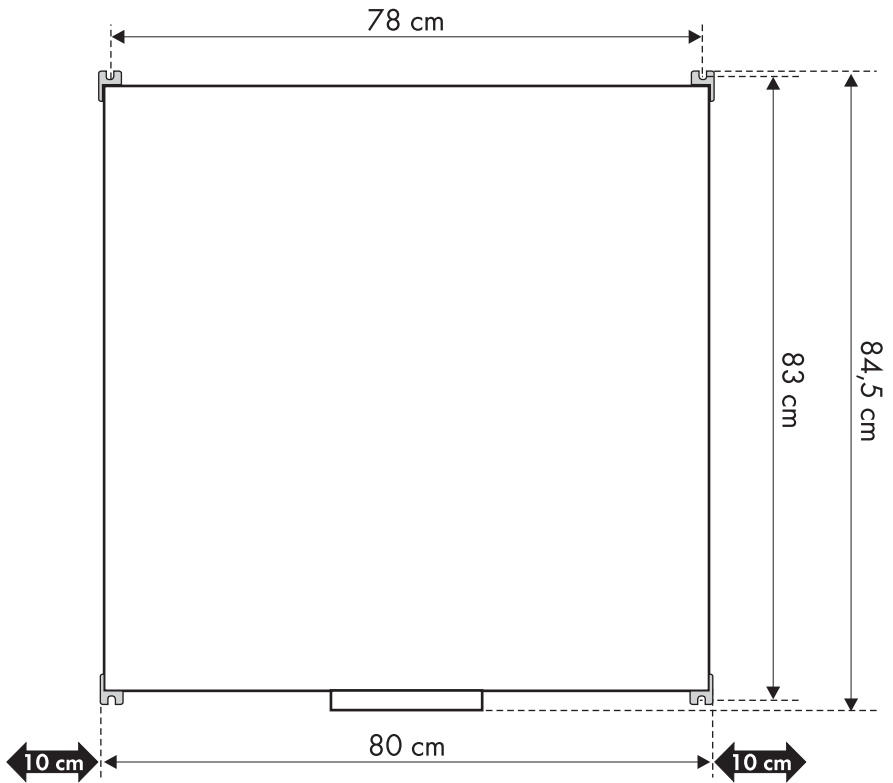
Mounting the Sunny Matrix to the Wall

2. Select the mounting location taking into consideration the requirements for the mounting location, as described in section 5.2 "Requirements for the Mounting Location" (page 16).
3. With the help of one of the following diagrams, which relates to the dimensions of the Sunny Matrix, determine the mounting area and mark the drill holes. Allow around 10 cm to the left and right of the Sunny Matrix, in order that the Sunny Matrix can be grasped and hung up.

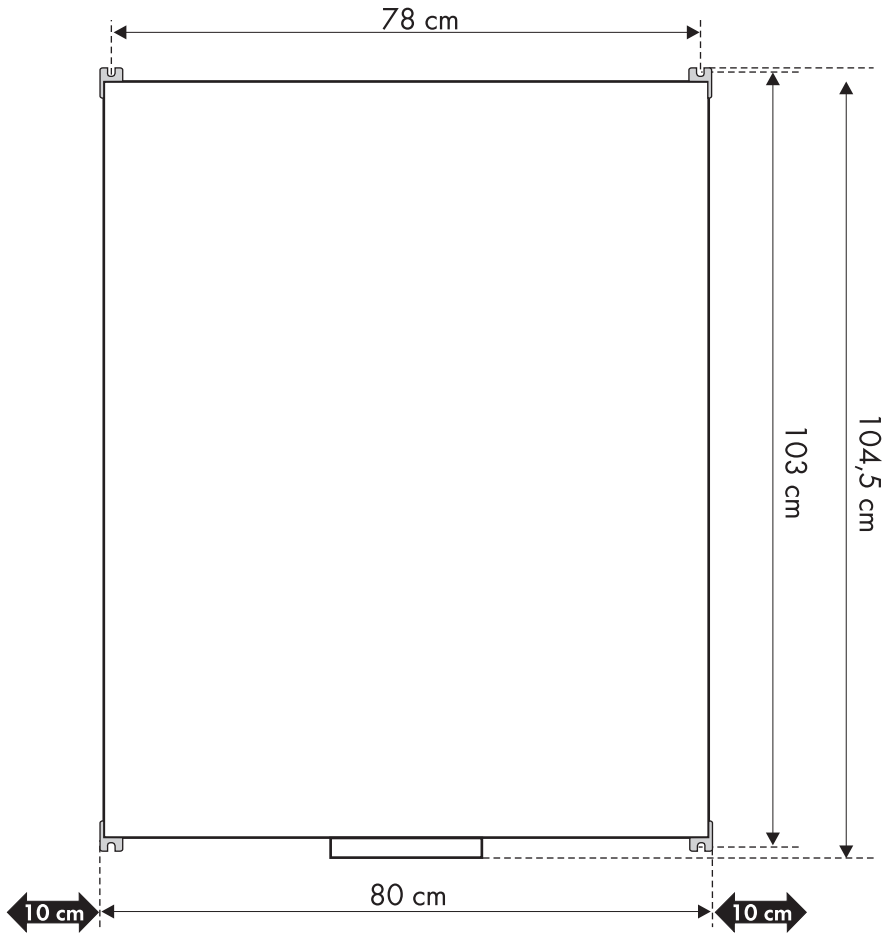
Sunny Matrix with dimensions 80 cm x 40 cm



Sunny Matrix with dimensions 80 cm x 80 cm



Sunny Matrix with dimensions 80 cm x 100 cm

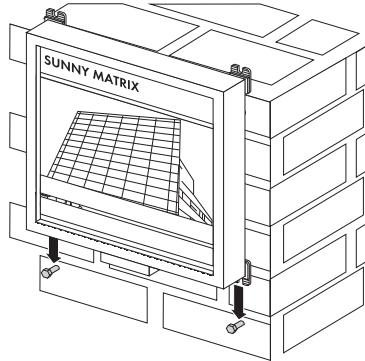


4. Drill the holes.
5. Insert wall anchors into the drill holes.
6. Place the washers onto the screws.
7. Insert one screw with washer into the two lower holes in the wall respectively. Turn the screws until approx. 1.5 cm sticks out of the wall.
8. Check that the screws are firmly anchored in the wall.



Mounting from this point on is only possible with at least 2 people.

- Stand the Sunny Matrix with the clips on the lower screws in the wall and hold on to the Sunny Matrix until mounting is complete.



- Tightly screw in the 2 lower screws.
 - With the 2 remaining screws and washers firmly screw the upper clips of the Sunny Matrix to the wall.
 - Check whether the Sunny Matrix is firmly fixed to the wall. If necessary, tighten the screws in the wall.
- The Sunny Matrix is now mounted to the wall.

6 Commissioning

6.1 Information on Commissioning



The electricity cable of the Sunny Matrix is not suitable for use outdoors.

The electricity cable supplied connected to the Sunny Matrix is not suitable for use outdoors. If you mount the Sunny Matrix outdoors, you must replace the electricity cable with one which is suitable for outdoor use. How to replace the electricity cable is described in section 9.1.1 "Replacing electricity cable" (page 61).



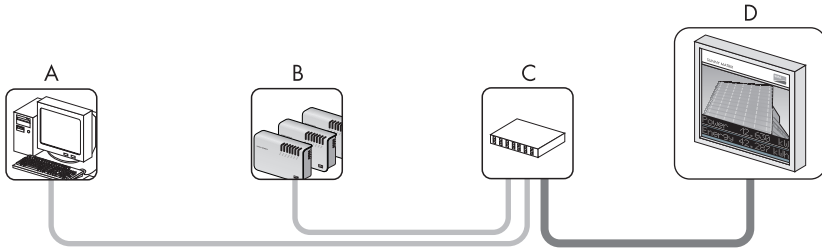
Settings in the network via the Network Administrator.

If your network is managed by a Network Administrator, contact him in order that he can integrate the Sunny Matrix into the network.

6.2 Connecting the power supply

1. Insert the plug of the Sunny Matrix into a plug socket (100 V AC to 240 V AC).
 - The Sunny Matrix starts and is accessible via the user interface after 1 minute.
2. Lay the cable properly so that there is no risk of persons tripping over it.
 - The power supply is connected.

6.3 Network Integration



Position	Name
A	Computer
B	Sunny WebBox
C	Router or Switch
D	Sunny Matrix

Sunny Matrix Factory Settings

IP address: 192.168.0.169
 Subnet mask 255.255.255.0
 User name: sunnymatrix
 Password: sma

The network integration is dependent on the existent network settings:

- If your network uses the subnet mask 255.255.255.0 and the IP address area 192.168.0.xy, the Sunny Matrix can automatically integrate itself into the network. Check whether the automatic integration was successful, as described in section 6.3.1 "Integrating the Sunny Matrix into the network automatically" (page 29).
- If your network uses other settings, you must integrate the Sunny Matrix into the network manually, as described in section 6.3.2 "Integrating the Sunny Matrix into the network manually" (page 29).

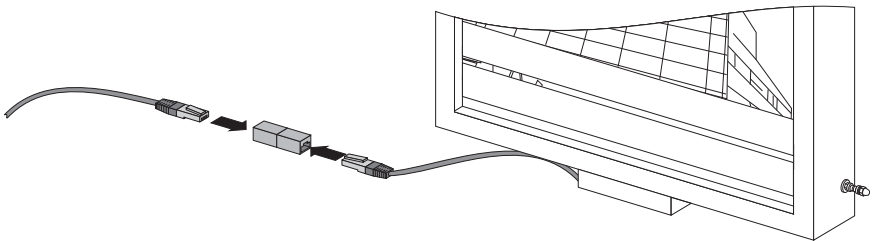
6.3.1 Integrating the Sunny Matrix into the network automatically

1. Plug the Sunny Matrix patch cable into the router / switch.
If the patch cable is too short, you can extend or replace it, as described in section 9.1.2 "Replacing or extending the patch cable" (page 63).
2. Enter the factory set Sunny Matrix IP address "192.168.0.169" (without speech marks) into the web browser (e.g. Internet Explorer).
 - The Sunny Matrix start page appears.
 - If the start page of the Sunny Matrix does not open, the Sunny Matrix could not be automatically integrated into the network due to the existing network settings. Integrate the Sunny Matrix into the network manually as described in section 6.3.2 "Integrating the Sunny Matrix into the network manually" (page 29).
 - The Sunny Matrix is integrated into the network.

6.3.2 Integrating the Sunny Matrix into the network manually

Connecting the Sunny WebBox directly to the computer

1. Plug the Sunny Matrix patch cable and the blue crossover cable supplied into the supplied adaptor.



2. Plug the crossover cable directly into Ethernet connection of the computer.

Setting the computer to the Sunny Matrix network settings.

3. Select "Start > Settings > Control Panel" on the computer.
4. Carry out the following steps for the relevant computer operating system:

Windows Vista	Windows XP, Windows 2000
Select "Network and Sharing Center".	Select "Manage Network Connections".
With the right mouse button select the LAN connection to which the Sunny WebBox is connected.	
Select "Properties".	
Activate "Internet Protocol Version 4 (TCP/IP)" and select [Properties].	Activate "Internet Protocol (TCP/IP)" and select [Properties].

Windows Vista	Windows XP, Windows 2000
Note the existing network settings, in order to be able to reset these settings in the computer after the integration.	
Set the following settings in the computer:	
IP address: 192.168.0.100	
Subnet mask 255.255.255.0	
Select [OK].	
Select [Close] in order to close the windows.	

Logging into the Sunny Matrix

5. Enter "http://192.168.0.169" into the web browser (e.g. Internet Explorer) and press enter.
 - The Sunny Matrix start page appears.
 - If the Sunny Matrix start page does not appear, see section 11 "Troubleshooting" (page 71).
6. Select [Login].
 - A pop-up window opens.
 - If the pop up window does not open, see Section 11 "Troubleshooting" (page 71).
7. Enter "sunnymatrix" in the "User name" field.
8. Enter "sma" in the "Password" field.
9. Select [OK].
 - The main page opens.

Changing the Sunny Matrix network settings

10. In the Sunny WebBox user interface select "Settings > Network".
11. Set Sunny Matrix to DHCP or assign a fixed IP address:
 - If the network works with a DHCP server, change Sunny Matrix to DHCP as described in the following table. With DHCP, the DHCP server (normally a router, a switch can not do this) assigns the Sunny Matrix an IP address automatically. Since the Sunny Matrix IP address can change when using DHCP, you must request the Sunny Matrix IP address via the router or use the Sunny Matrix Admin Tool.
 - If the network works without a DHCP server, assign a fixed IP address for the Sunny Matrix as described in the following table.

Setting Sunny Matrix to DHCP	Assigning a fixed IP address for the Sunny Matrix
<p>Checking DHCP server</p> <p>Before setting the Sunny Matrix to dynamic IP address assignment, check your DHCP server. The DHCP server must extend the lease of the assigned IP address. If the DHCP server assigns a new IP address after the lease has expired, we do not recommend using the DHCP server.</p> <p>DHCP servers can normally list all devices to which you have assigned an IP address. The Sunny Matrix can then be identified via its MAC address. The MAC address of your Sunny Matrix is located on the "Settings / Network" page.</p> <ul style="list-style-type: none"> In the "Acquire IP address" field select the "Dynamic (DHCP)". 	<ul style="list-style-type: none"> In the "Obtain IP address" field select "Static". In the "Network" area enter the IP address via which the Sunny Matrix should be reachable with in the "IP address" field. In the "Subnet mask" field, enter the subnet mask of the Sunny Matrix. If the Sunny WebBox is in another subnet, enter the IP address of the device which creates the connection with the internet in the "Gateway address" field. Normally, the IP address of the router / switch is entered here. <p>If the Sunny Matrix should access a Sunny WebBox with its own router, the Port 502 UDP must be opened on this router.</p>

12. Select [Save].
13. Select "Settings > System".
14. In the "Sunny Matrix Software:" area, select [Execute] in the field "New Start:".
 - The Sunny Matrix restarts. The changes are applied. The Sunny Matrix is now accessible via the new network settings.

Resetting the computer to the previous network settings.

15. Reset the computer to the network settings noted.

Connecting the Sunny Matrix to the Network

16. Plug the Sunny Matrix patch cable into the router / switch.

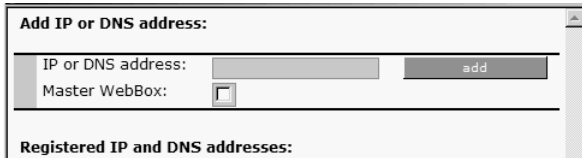
If the patch cable is too short, you can extend or replace it, as described in section 9.1.2 "Replacing or extending the patch cable" (page 63).

 - The Sunny Matrix is integrated into the network.

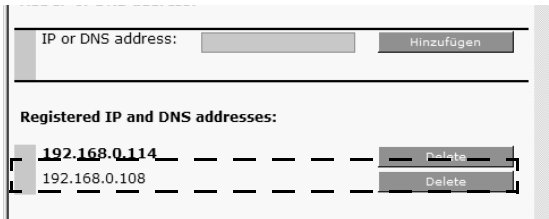
6.4 Adding Sunny WebBox Devices

This section describes how Sunny WebBox devices are added to the Sunny Matrix. The Sunny Matrix can manage the data of up to 50 Sunny WebBox devices. The Sunny Matrix adds the data of the Sunny WebBox devices.

1. In the Sunny WebBox user interface select "Settings > Network".
2. In the "WebBox Connection" area, select **[Edit]** in the "IP address" field.
 - A pop-up window opens.



3. Enter the IP address or DNS address at which the Sunny WebBox is reachable in the network in the "IP or DNS address" field.
4. If you want to establish this Sunny WebBox as the Master Sunny WebBox, activate the "Master WebBox" field. For more information see section 8.7.3 "Assigning / changing Master Sunny WebBox" (page 55).
5. Select **[Add]**.
 - The IP address or DNS address is in the "Registered IP and DNS addresses:" area. The Master Sunny WebBox appears in bold text in the first line.



- The Sunny WebBox is added. In this way you can add further Sunny WebBox devices.



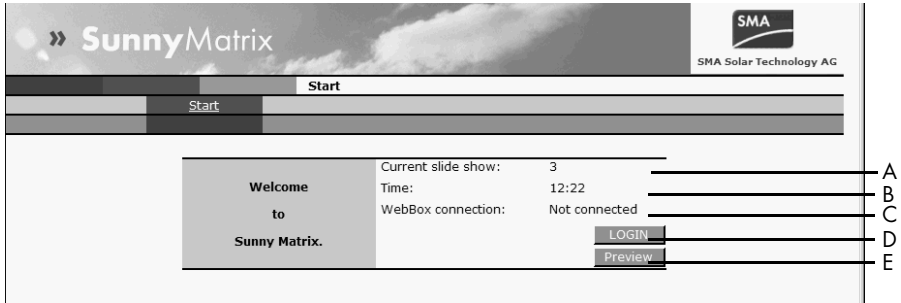
Saving settings with the Sunny Matrix Admin Tool.

Using the Sunny Matrix Admin Tool you can save the Sunny Matrix configuration onto the computer and when necessary reload onto the Sunny Matrix.

7 Operation

7.1 The Sunny Matrix User Interface

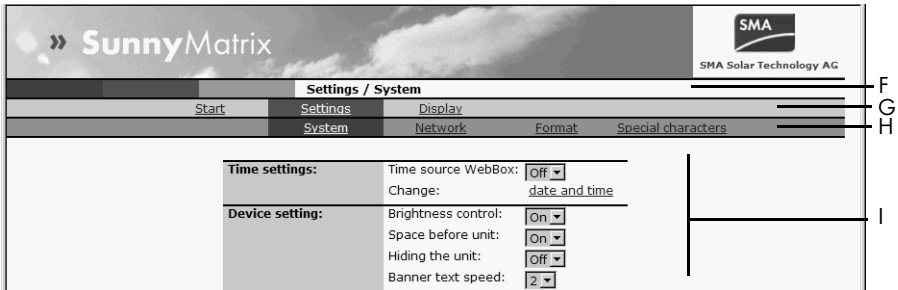
Page for logging into the Sunny Matrix



Position	Name
A	Current slide show
B	Time
C	Connection status to the Sunny WebBox / Sunny WebBox devices
D	Login to the Sunny Matrix
E	Open preview of the current slide show

Example of a page

After logging into the Sunny Matrix you can access the various menu pages.



Position	Name
F	Path of the page currently opened
G	Main menu points The currently selected menu point is highlighted in red.
H	Sub-menu points of the selected main menu. The currently selected sub-menu point is highlighted in dark blue.
I	Content of the open page

7.1.1 Logging into the Sunny Matrix

Sunny Matrix Factory Settings

User name: sunnymatrix

Password: sma

1. Enter the Sunny Matrix IP address into the web browser (e.g. Internet Explorer).
 - The Sunny Matrix user interface opens
2. Select [Login].
 - A pop-up window opens.
 - If the pop up window does not open, see Section 11 "Troubleshooting" (page 71).
3. In the "User name" field, enter the user name.
4. Enter the password in the "Password" field.
5. Select [OK].
 - The Sunny Matrix start page appears. Login was successful.

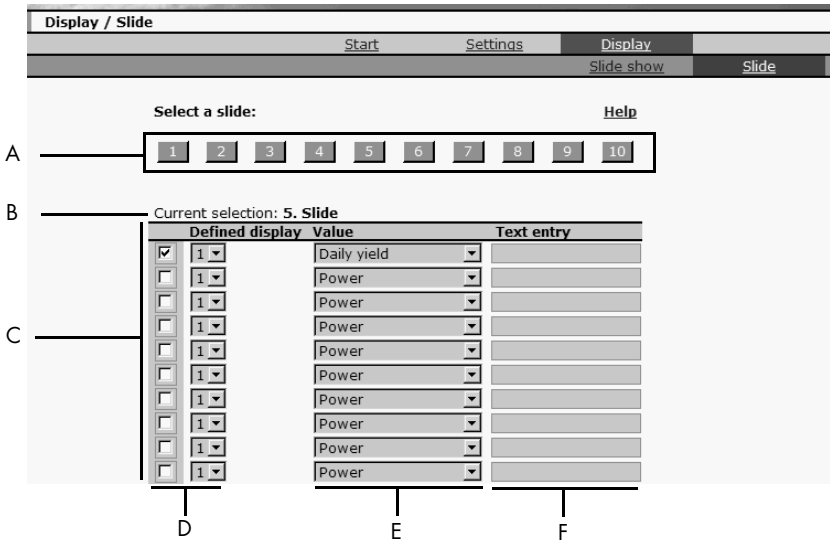
Now you can set what should be displayed on the Sunny Matrix, as described in section 7.2 "Displaying of text and values" (page 35).

7.2 Displaying of text and values

Using the Sunny Matrix user interface you can save text and values which should be displayed on the Sunny Matrix in slides. In a slide show you can select which slide Sunny Matrix should display. The Sunny Matrix displays everything right-justified. If a text is longer than the display area, Sunny Matrix displays the text as a ticker function.

7.2.1 Step 1: creating a slide

1. Log into the Sunny Matrix.
2. Select "Display > Slide".



Position	Name
A	Buttons for selecting a slide
B	Currently selected slide
C	Area for creating the slide content
D	Area for activating and selecting a display area of the Sunny Matrix
E	Area for selecting the value, that the slide should display
F	Area for the entry of text, that the slide should display. This function is only possible if "Text" is selected as the value.

3. In the area "Select a slide:" click on a button.
 - Next to "Current Selection:" the number of the selected slide is displayed.

- In the column "defined Display:" select and activate a display are in which the text or value should be displayed. Normally, the first row is preset with modules as "defined display 1" and the second with modules as "defined display 2" etc.



Preset display areas

Display areas are already predefined before shipping the Sunny Matrix. Normally every row is preset with modules as a display area. You can find out which display areas are already preset in your Sunny Matrix from the supplied supplemental sheet. How you establish further display areas is described in section 7.8 "Setting further display areas" (page 45).

- In the "Value" column select what should be displayed in the display area. The selectable values are clarified in the following table.

Value	Meaning
Power	The current power (kW) of the PV system.
Daily energy	The energy (kWh) which the PV system has generated up to now on the current day.
Overall energy	The overall energy (kWh) of the PV system.
CO ₂ saving (calculated from the overall energy value)	The amount of carbon Dioxide (CO ₂) which has been saved, since the overall energy generated was not generated using the normal electricity mix (oil, natural gas, coal, nuclear power etc.).
Time	The current time of the Sunny Matrix or Sunny WebBox.
Date	The current date of the Sunny Matrix or Sunny WebBox.
Text	Freely enterable text, which should be displayed. Enter the desired text in the "Text entry" area. A maximum of 45 characters are possible. You will find information on the Sunny Matrix character set in section 8.6 "Character set" (page 51).
Web Text	The Web Text is a freely enterable text which can be entered directly into the address bar of the web browser (e.g. Internet Explorer) for quick changes. How to utilize the Web Text is described in section "Entering Web Text" (page 38).
State of Charge	The current state of charge of the Sunny Island battery. If you have several Sunny WebBox devices, the Sunny WebBox to which the Sunny Island is connected must be assigned as the Master (see section 8.7.3 "Assigning / changing Master Sunny WebBox" (page 55)).
The Sunny Matrix can only display the following values if a Sunny SensorBox with the relevant sensors is connected to the Sunny WebBox. If you have several Sunny WebBox devices, the Sunny WebBox to which the Sunny SensorBox is connected must be assigned as the Master (see section 8.7.3 "Assigning / changing Master Sunny WebBox" (page 55)).	

Value	Meaning
Ambient temp.	The current ambient temperature.
Module temperature	The current module temperature.
Int. solar irradiation	The current solar irradiation, measured by the integrated irradiation sensor of the Sunny SensorBox.
Wind speed	The current wind speed.

6. Select [Save].

The slide is created.

In this way you can create further slides if desired. Now you can put together a slide show, as described in section 7.2.2 "Step 2: Creating a slide show" (page 40).

Example of a created slide

This example shows the slide with the number 5 with the set value "Text" and "Power". The word "Power" is entered as text.

Display / Slide

Start Settings Display

Slide show Slide

Select a slide: Help

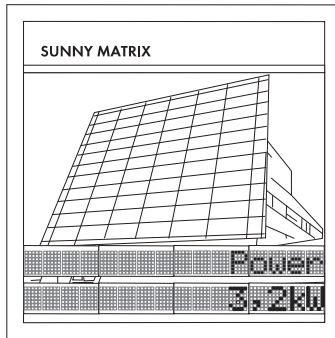
1 2 3 4 5 6 7 8 9 10

Current selection: 5. Slide

Defined display	Value	Text entry	
<input checked="" type="checkbox"/>	1	Text	Power
<input checked="" type="checkbox"/>	2	Power	
<input type="checkbox"/>	1	Power	
<input type="checkbox"/>	1	Power	
<input type="checkbox"/>	1	Power	
<input type="checkbox"/>	1	Power	
<input type="checkbox"/>	1	Power	
<input type="checkbox"/>	1	Power	
<input type="checkbox"/>	1	Power	
<input type="checkbox"/>	1	Power	

Save Reset

This diagram shows how the Sunny Matrix displays this slide.



Entering Web Text

The Web Text makes it possible for you to display text on the Sunny Matrix, without having to enter the text in the Sunny Matrix user interface. You can enter the Web Text directly into the address bar of the web browser (e.g. Internet Explorer). A maximum of 48 characters are possible. In order to be able to use the Web Text, you must first select the Web Text in a slide. You can use the Web Text, if you are using this slide in the current slide show. How to enter special characters in the address bar of the browser is described in section 8.6.2 "Special characters for the Web Text" (page 53).

How you enter the Web Text is described in the following:

1. Enter the following text in the address bar of the web browser:

`http://IP-Address/xfunc/webtext=Example`

Replace "**IP-Address**" with the currently valid IP address of the Sunny Matrix and "**Example**" with the desired text.

2. Press enter on the keyboard.

- The web browser displays "OK". The Web Text is entered. The Sunny Matrix displays the text immediately.



Refreshing the Web browser / reload page

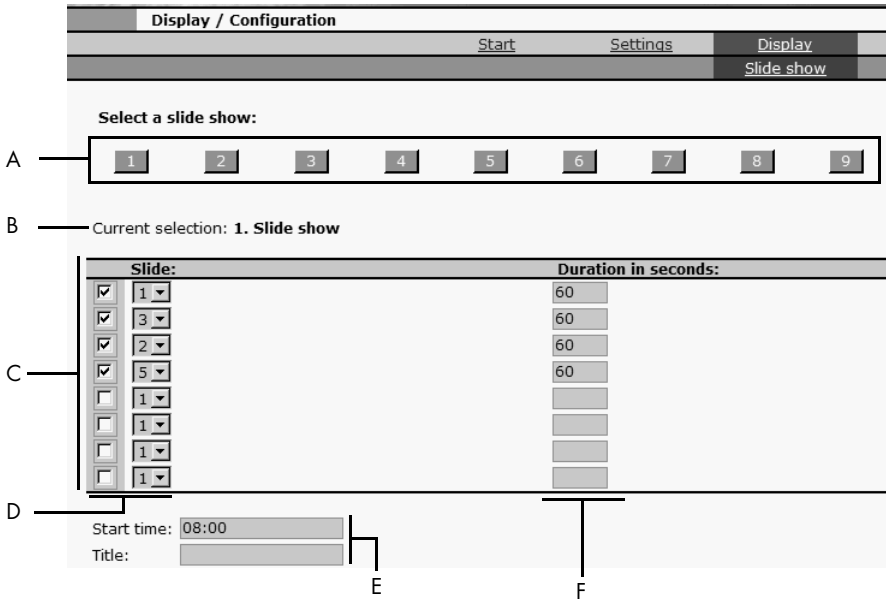
If the Sunny Matrix does not take on the new Web Text, refresh the web browser using the [F5] key.

7.2.2 Step 2: Creating a slide show

In the second step you must put the slides just created into a slide show in order that the Sunny Matrix can display the slides. You can save 10 different slide shows. A slide show can include a maximum of 8 slides. You can determine the display duration of the slides. The individual slides run automatically from one to the next and change after the duration set. You must allocate a time to each slide show, at which the slide show should start. Thus you can display various slide shows at various times.

Proceed as follows:

1. Select "Display > Slide Show".



Position	Name
A	Buttons for selecting a slide show
B	Currently selected slide show
C	Area for setting the slide show content
D	Area for activation and selection of a slide
E	Area for entering the time at which the slide show should start. Area for entering a title for the slide show.
F	Area for entering the display duration of a slide

2. In the "Select a Slide Show" area, click a button for the save location of the slide show. Do not select the button with the number 10, this is assigned to the Standard Slide Show, if it is activated.
 - Alongside "current selection:" the number of the selected button appears, under which the slide show will be saved.
3. In the "Slide:" area select the desired slide from the drop down menu. Only the created slides are selectable.
4. Activate the field in the "Slide:" area.
5. In the "Duration in Seconds:" area enter how many seconds the slide should be displayed for. In a display duration of 0 seconds is entered, the slide is displayed permanently. With this setting, the Sunny Matrix does not change to the next slide. This setting is sensible if the slide show only contains 1 slide. This avoids a flickering of the display at the end of the display duration.
6. If desired, in this way you can select and activate further slides and set the duration.
7. In the "Start Time" field enter the time in 24 hr format at which the slide show should start.
8. In the "Title" field enter a title for the slide show if desired.

The Title helps to differentiate between various slide shows. In the "Slide Show Overview:" area all saved slide shows are listed.

9. Select [Save].
 - The Sunny Matrix saves the setting. The "Display > Slide Show" page opens again.
 - The slide show has been created.

On the start page of the Sunny Matrix you can access a preview of the current slide show, as described in section 7.3 "Viewing the preview of the current slide show" (page 43).



Saving settings with the Sunny Matrix Admin Tool.

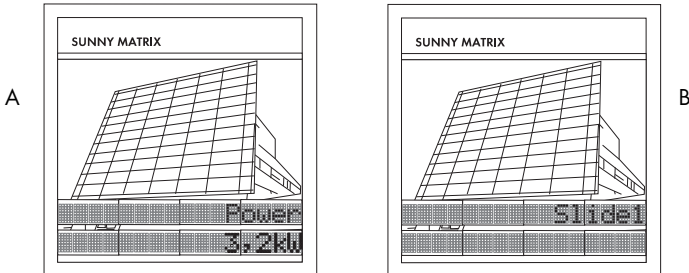
Using the Sunny Matrix Admin Tool you can save the Sunny Matrix configuration onto the computer and when necessary reload onto the Sunny Matrix.

Example of a set slide show

This example shows the slide show number 3 with the created slides 5 and 1. Slide 5 is the example used in section "Example of a created slide" (page 38). For both slides the display duration is set to 120 seconds. The start time of the slide show is 12:00 hrs.

Display / Configuration																																		
Start	Settings																																	
<div style="display: flex; justify-content: space-between;"> Display Slide show Slide </div>																																		
<p>Select a slide show: Help</p> <div style="display: flex; justify-content: space-around; margin-bottom: 10px;"> 12345678910 </div> <p>Current selection: 3. Slide show</p> <table border="1" style="width: 100%; border-collapse: collapse;"> <thead> <tr> <th style="width: 10px;"></th> <th style="width: 100px;">Slide:</th> <th style="width: 100px;">Duration in seconds:</th> </tr> </thead> <tbody> <tr><td><input checked="" type="checkbox"/></td><td>5</td><td>120</td></tr> <tr><td><input checked="" type="checkbox"/></td><td>1</td><td>120</td></tr> <tr><td><input type="checkbox"/></td><td>1</td><td></td></tr> <tr><td><input type="checkbox"/></td><td>1</td><td></td></tr> <tr><td><input type="checkbox"/></td><td>1</td><td></td></tr> <tr><td><input type="checkbox"/></td><td>1</td><td></td></tr> <tr><td><input type="checkbox"/></td><td>1</td><td></td></tr> <tr><td><input type="checkbox"/></td><td>1</td><td></td></tr> <tr><td><input type="checkbox"/></td><td>1</td><td></td></tr> <tr><td><input type="checkbox"/></td><td>1</td><td></td></tr> </tbody> </table> <p>Start time: <input type="text" value="12:00"/></p> <p>Title: <input type="text"/></p> <div style="text-align: right; margin-top: 10px;"> <input type="button" value="Save"/> <input type="button" value="Reset"/> </div>			Slide:	Duration in seconds:	<input checked="" type="checkbox"/>	5	120	<input checked="" type="checkbox"/>	1	120	<input type="checkbox"/>	1		<input type="checkbox"/>	1		<input type="checkbox"/>	1		<input type="checkbox"/>	1		<input type="checkbox"/>	1		<input type="checkbox"/>	1		<input type="checkbox"/>	1		<input type="checkbox"/>	1	
	Slide:	Duration in seconds:																																
<input checked="" type="checkbox"/>	5	120																																
<input checked="" type="checkbox"/>	1	120																																
<input type="checkbox"/>	1																																	
<input type="checkbox"/>	1																																	
<input type="checkbox"/>	1																																	
<input type="checkbox"/>	1																																	
<input type="checkbox"/>	1																																	
<input type="checkbox"/>	1																																	
<input type="checkbox"/>	1																																	
<input type="checkbox"/>	1																																	

The following diagram shows how the Sunny Matrix displays this slide show. The Sunny Matrix displays the slide show first at 12:00 hrs. If it is the only created slide show, it is displayed immediately. First the Sunny Matrix displays the slide with the number 5. After 120 seconds the Sunny Matrix displays the slide with the number 1. Then the Sunny Matrix repeats the slides. If a further slide show has been created, Sunny Matrix displays this at the specified start time.



Position	Name
A	Example slide number 5
B	Example slide number 1

7.3 Viewing the preview of the current slide show

On the start page of the Sunny Matrix you can access a preview of the current slide show. The lines of the preview deviate from the mechanical layout of the lines of the Sunny Matrix.



1. Select [Start].
 2. Select [Preview].
- A pop-up window opens.
 - The preview of the current slide show can be seen.

7.4 Viewing overview of the slide shows

The Sunny Matrix displays all slide shows created in an overview. Proceed as follows to access the overview:

1. Select "Display > Slide Show".
- The overview of the slide shows can be seen.

Slide show overview:

Start time	Title	Slide show		Start time	Title	Slide show	
12:00		3	Delete				Delete
13:30		1	Delete				Delete
18:00	abcdefghijklmno	2	Delete				Delete
			Delete		Standard slide show	10	Delete
			Delete				Delete

A
B
C
D

Position	Name
A	Time at which the slide show starts
B	Title of the slide show
C	Created slide shows In this example the slide shows 3, 1, and 2 have been created.
D	Button for deleting the slide show.

7.5 Deleting a slide show

1. Select "Display > Slide Show".
 2. In the "Slide Show Overview:" area select [Delete] in the line of the slide show which is to be deleted.
- The slide show has been deleted.

7.6 Creating an empty slide show

You can set that the Sunny Matrix should display nothing at a certain time. The display of the Sunny Matrix then remains dark.

Proceed as follows to create an empty slide show:

1. Select "Display > Slide Show".
 2. In the "Start Time" field enter the time in 24 hr format at which the slide show should start.
 3. In the "Title" field enter the following word in upper case: NOSHOW.
 4. Select [Save].
- The Sunny Matrix saves the setting. The "Display > Slide Show" page opens again.
- The empty slide show is created.

7.7 Standard slide show (10)

The slide show with the number 10 is the standard slide show. The Sunny Matrix displays the standard slide show 10 automatically after 5 minutes if the contact to the Sunny WebBox is lost. This prevents a blank display on the Sunny Matrix. The standard slide show is preset. If you want to change the standard slide show, create the slide show from slides which do not display any data of the PV system. Displays with text and the time are independent of the PV system.

7.7.1 Switching the Standard Slide Show on / off

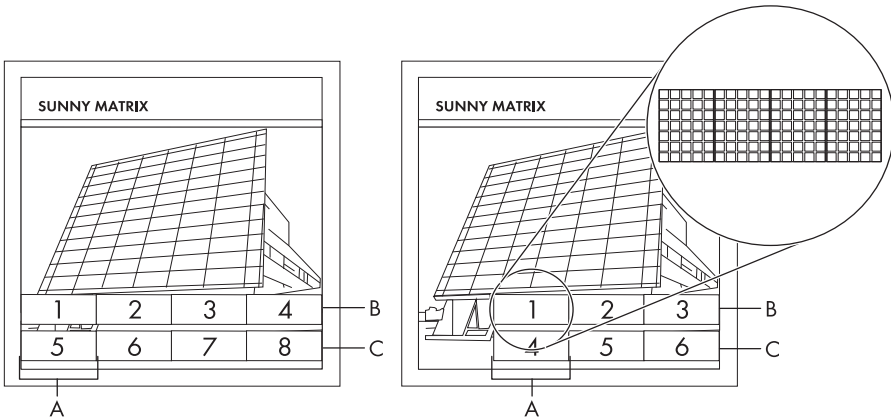
1. Select "Settings > Network".
 2. In the "WebBox Connection:" area select "On" or "Off" in the "Standard Slide Show:" field.
- The standard slide show is switched on or off.

7.8 Setting further display areas

A display area is an area on the Sunny Matrix, on which you can display text or values. These areas are the modules on the Sunny Matrix. With the modules you can set various display areas.

Factory preset display areas

Display areas are already predefined before shipping the Sunny Matrix. Normally every row is preset with modules as a display area. The following diagram clarifies the predefined display areas using 2 different Sunny Matrixes. You can find out which display areas are already preset in your Sunny Matrix from the supplied supplemental sheet.

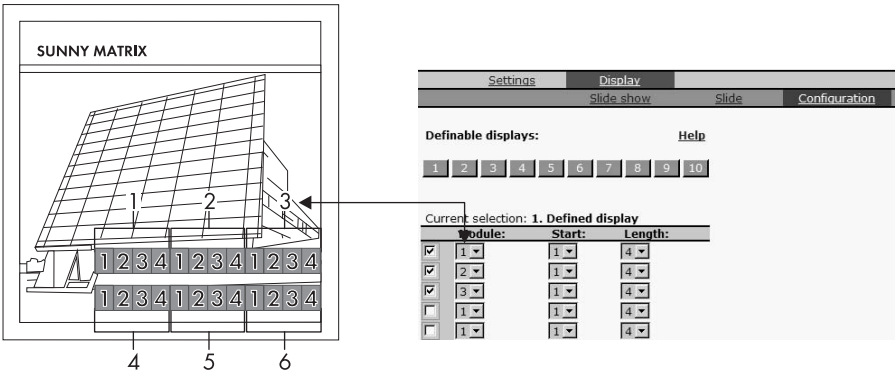


Position	Name
A	Module A module is 4 spaces long. At each space only 1 character (e.g. a letter or a digit) can be displayed. The modules are always numbered from left to right, from top to bottom.
B	Preset "defined display 1": in the first example the modules 1, 2, 3, and 4 form a display area. In the second example modules 1, 2 and 3 form a display area.
C	Preset "defined display 2": in the first example the modules 5, 6, 7, and 8 form a display area. In the second example modules 4, 5 and 6 form a display area.

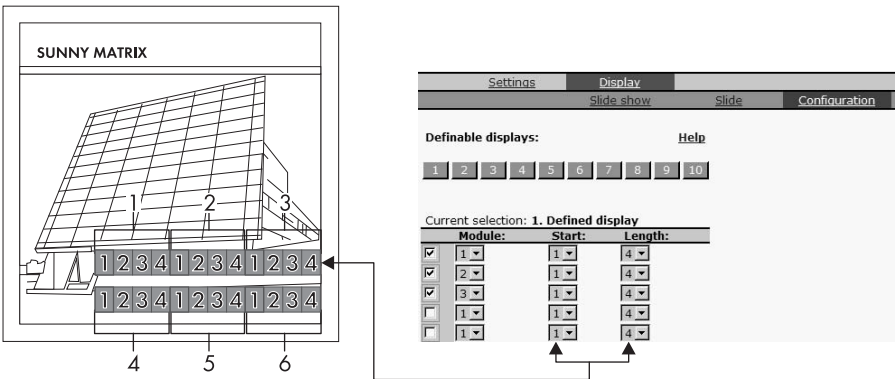
If the preset display areas are not sufficient, you can create more, as described in the following.

1. Select "Display > Configuration".
2. In the "Definable displays:" area select a button. The buttons are the save locations for the display areas. Normally the buttons with the numbers 1 and 2 are already defined. The preset display areas are saved at these buttons.
 - Alongside "Current Selection:" the number of the selected display area appears.
 - If a tick is already in place, then there is already a display area saved here. Select another button.

- In the "Module:" area, select and activate the modules out of which the display area should be composed.



- In the "Start:" area and "Length" select how many spaces of the module should be used.



- Select [Save].
- The display area has been set.

8 Settings

8.1 Time settings

8.1.1 Selecting the time source

The Sunny Matrix obtains the time from its internal real time clock. You can set that the Sunny Matrix should obtain the time from the Master Sunny WebBox. This is first possible from the Sunny WebBox firmware version 1.50.

How you establish a Sunny WebBox as Master is described in section 8.7.3 "Assigning / changing Master Sunny WebBox" (page 55).

1. Select "Settings > System".
 2. In the "Time settings:" area activate "Time Source WebBox:"
 3. Select [Save].
- The Sunny Matrix obtains the time from the Sunny WebBox.

8.1.2 Setting Date and Time

1. Select "Settings > System".
 2. In the "Time settings:" area select [change] next to "Date and Time".
 A pop-up window opens.
 3. Enter the date in the "Date:" field. Format DD.MM.YYYY or MM/DD/YYYY
 4. Enter the time in 24 hr format in the "Time:" field. The time continues, as soon as you select [change].
 5. Select [change].
 6. Select [Save].
- Data and time are set.

8.1.3 Changing the time and date format

You can set whether the Sunny Matrix should display the time in 12 hr or 24 hr format. You can select between the following formats for the date: DD.MM.YYYY or MM/DD/YYYY

1. Select "Settings > Format".
 2. In the "General:" area select the desired format in the "Time:" field.
 3. Select the desired format in the "Date:" field.
 4. Select [Save].
- The format of the time and date is changed.

8.2 Changing the Password

The password can be a maximum of 15 characters.

1. Select "Settings > System".
2. In the "Passwords:" area select [change].
 - A pop-up window opens.
3. Enter the old password in the "Old Password:" field.
4. Enter the new password in the "New Password:" field.
5. Enter the new password in the "Repeat:" field.
6. Select [change].
 - The Sunny Matrix performs a new start. The start page for logging in opens. The Sunny Matrix displays that the password has been changed.
7. Select [close].
 - The password has been changed.

8.3 Changing the brightness of the display

The Sunny Matrix can control the brightness depending on the surroundings. This means that in a bright area the Sunny Matrix display brightens, and in a darker area darkens. This improves the legibility of the display in different light situations, and prevents the eye of the reader from being dazzled.

1. Select "Settings > System".
2. In the "Device Settings:" area select "on" or "off" in the "Brightness Control:" field.
3. Select [Save].
 - The Brightness Control option has been changed.

8.4 Changing the speed of the ticker text

The Sunny Matrix uses the ticker format automatically, if the text is longer than the display area. You cannot turn the ticker on or off. In order to change the speed of the ticker proceed as follows:

1. Select "Settings > System".
2. In the "Device Settings:" area select the desired speed in the "Ticker Speed:" field.
 - 1 = slowest speed
 - 5 = fastest speed
3. Select [Save].
 - The speed of the ticker text is changed.

8.5 Setting units

8.5.1 Changing measuring units

You can change the measurement units of the following values: Power, daily energy, total energy, CO₂ saved.

1. Select "Settings > Format".
 2. In the "Scaling" column, select the desired measurement unit..
 3. Select [Save].
- The measurement units are changed.

8.5.2 Changing the number of decimal places

You can set how many decimal places the following values should display: Power, daily energy, CO₂ saving.

1. Select "Settings > Format".
 2. In the "decimal places" column select the desired quantity.
 3. Select [Save].
- The decimal places are changed.

8.5.3 Changing the CO₂ Factor

The Sunny Matrix can calculate how much CO₂ you avoid through the environmentally friendly generation of electricity with your PV system. Therefore the Sunny Matrix needs the CO₂ factor. The CO₂ factor is dependent on the electricity mix of the country. You can obtain the CO₂ factor from your energy supplier.



CO₂ factor and electricity mix

You will find further information on the CO₂ factor and electricity mix in the download area of www.SMA.de/en.

1. Select "Settings > Format".
 2. In the "Factor" column, select the factor.
 3. Select [Save].
- The factor is changed.

8.5.4 Changing temperature units

You can set whether the Sunny Matrix should display the values of the outside and module temperatures in °Celsius or °Fahrenheit.

1. Select "Settings > Format".
 2. In the "General:" area in the field "external temp.:" and "Module temp.:" select the unit.
 3. Select [Save].
- The temperature units have been changed.

8.5.5 Hide / show units

You can set whether the Sunny Matrix displays the units behind the values or not (200 W or 200). This setting covers all values, which are displayed with a unit.

1. Select "Settings > System".
 2. In the "Device Settings:" area select "on" or "off" in the "Hiding the unit:" field.
 3. Select [Save].
- The units are hidden or displayed.

8.5.6 switching on / off spaces before units

You can set whether a space should appear between the number and the unit (e.g 500W or 500 W).

1. Select "Settings > System".
 2. In the "Device Settings:" area select "on" or "off" in the "space before unit:" field.
 3. Select [Save].
- The setting is changed.

8.6 Character set

The following diagram contains the characters that the Sunny Matrix can display. You can set missing characters on the user interface of the Sunny Matrix as described in section 8.6.1 "Setting special characters" (page 51).



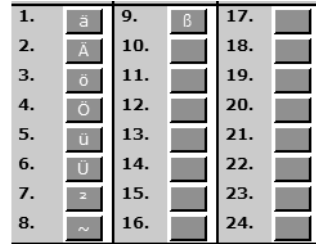
8.6.1 Setting special characters

The Sunny Matrix can not process and display certain special characters. Instead of the special character the Sunny Matrix displays right-angles. You can however draw special characters on the Sunny Matrix user interface. The drawn special characters can be processed and displayed by the Sunny Matrix. In the table "Predefined Special Characters" (page 52) the special characters are shown, which the Sunny Matrix can already display. The Sunny Matrix can save a maximum of 24 special characters.

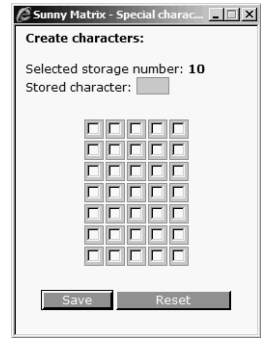
How you create missing special characters is described in the following:

1. Select "Settings > Special characters".

2. Select [Edit].
 - A pop-up window opens.
3. Select an empty blue button for the save location.



- The window for the creation of a character opens.
4. Activate fields which should light up on the Sunny Matrix.
5. In the "Saved character:" field enter 1 character, by whose input on the keyboard the Sunny Matrix should display the set character.
6. Select [Save].
7. Select [close].
8. Select [Update].
 - The special character is created.



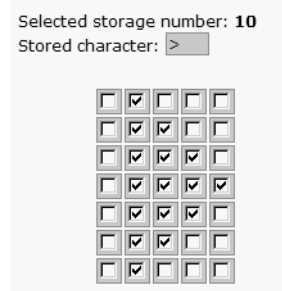
Predefined Special Characters

The following special characters are predefined on the Sunny Matrix:

Button number	Plotted special character	Enter the following character on the keyboard, in order that the Sunny Matrix displays the plotted special character.
	<input checked="" type="checkbox"/>	ä
	<input checked="" type="checkbox"/>	Ä
	<input checked="" type="checkbox"/>	ö
	<input checked="" type="checkbox"/>	Ö
	<input checked="" type="checkbox"/>	ü
	<input checked="" type="checkbox"/>	Ü
	<input checked="" type="checkbox"/>	2
	(superscript two)	or [Alt Gr] and [2]
	<input checked="" type="checkbox"/>	2
	(subscript two)	~ or [Alt Gr] and [+]
	<input checked="" type="checkbox"/>	ß

Example

If you want to display a filled out triangle on the Sunny Matrix, you can draw the triangle as shown in the diagram. In the "Saved character:" field you must enter a character, by whose input on the keyboard the Sunny Matrix should display filled out triangle. IN this example the character ">" is used. If you use this character in a slide, the Sunny Matrix displays the filled out triangle.



8.6.2 Special characters for the Web Text

You can use the predefined special characters (section "Predefined Special Characters" (page 52)) also for the Web Text. The following table shows the characters which you must enter in the web browser, in order that the predefined special characters are displayed on the Sunny Matrix.

Enter the following character in the browser	Displayed character on the Sunny Matrix
%E4	ä
%C4	Ä
%F6	ö
%D6	Ö
%FC	ü
%DC	Ü
%B2	2

Example

If the Sunny Matrix should display 75 m², you must enter the following Web Text in the web browser: `http://IP Address/xfunc/webtext=75 m%B2`

"IP Address" must be replaced with the currently valid IP address of the Sunny Matrix.



Refreshing the Web browser / reload page

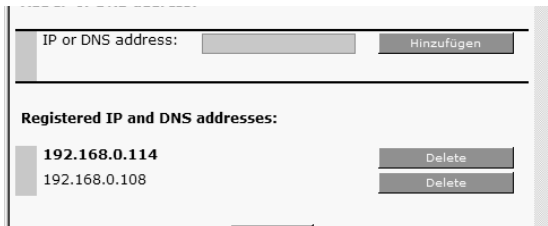
If the Sunny Matrix does not take on the new Web Text, refresh the web browser using the [F5] key.

8.7 Sunny WebBox connection

8.7.1 Add further Sunny WebBox devices

This section describes how further Sunny WebBox devices are added to the Sunny Matrix. The Sunny Matrix can manage the data of up to 50 Sunny WebBox devices. The Sunny Matrix adds the data of the Sunny WebBox devices.

1. Select "Settings > Network".
2. In the "WebBox Connection" area, select [Edit] in the "IP address" field.
 - The "Sunny Matrix- WebBox IP" pop up window opens. If the pop up window does not open, see Section 11 "Troubleshooting" (page 71).



3. Enter the IP address or DNS address at which the Sunny WebBox is reachable in the network in the "IP or DNS address" field.
4. Select [Add].
 - The IP address or DNS address is in the "Registered IP and DNS addresses:" area.
 - The Sunny WebBox is added.

8.7.2 Deleting Sunny WebBox

1. Select "Settings > Network".
2. In the "WebBox Connection" area, select [Edit] in the "IP address" field.
 - The "Sunny Matrix- WebBox IP" window opens.
3. In the line of the Sunny WebBox which is to be deleted, select [delete].
 - The Sunny WebBox is deleted.

8.7.3 Assigning / changing Master Sunny WebBox

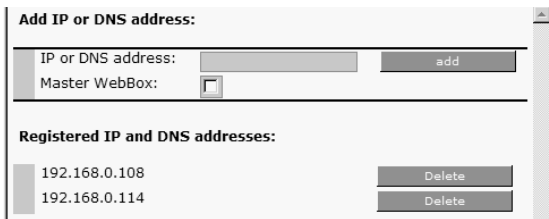
You can assign a Sunny WebBox as Master. The Sunny Matrix can extract the date and time from this Sunny WebBox. If a Sunny SensorBox with the relevant sensors is connected to the Master Sunny WebBox, the Sunny Matrix can display the following values: ambient temperature, module temperature, solar irradiation (of the integrated irradiation sensors), wind speed. From a Sunny Island the Sunny Matrix can display the charge state of the battery.

- If you have not yet assigned a Master Sunny WebBox, see section "Assigning Master Sunny WebBox" (page 55).
- If you want to change and assigned Master Sunny WebBox, see section "Changing Master Sunny WebBox" (page 56).

Assigning Master Sunny WebBox

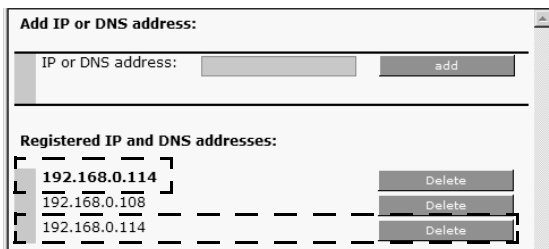
1. Select "Settings > Network".
2. In the "WebBox Connection" area, select **[Edit]** in the "IP address" field.

The "Sunny Matrix- WebBox IP" window opens.



3. Enter the IP address or DNS address of the desired Master Sunny WebBox in the "IP or DNS address" field.
4. Activate "Master WebBox" field.
5. Select **[Add]**.

The IP address or DNS address of the Master Sunny WebBox is in the "Registered IP and DNS addresses:" area in the first line and is in bold text.



The IP or DNS Address of the Master Sunny WebBox is now listed twice. You must delete the IP or DNS address which is not in bold text.

6. Select [Delete] in the line of the doubled IP or DNS Address.

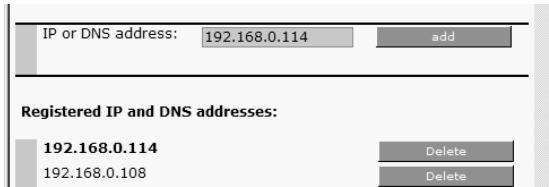
The double IP or DNS Address is deleted.

- The Master Sunny WebBox is assigned.

Doubly added Sunny WebBox devices are allowed, but the displayed values are doubled.

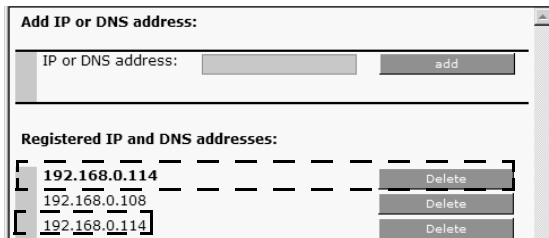
Changing Master Sunny WebBox

1. Enter the IP or DNS address of the already assigned Master Sunny WebBox in the "IP or DNS Address:" field.



2. Select [Add].

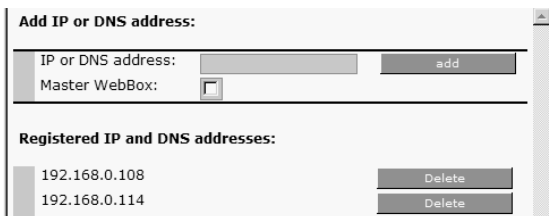
The IP or DNS Address of the Master Sunny WebBox is now listed twice.



You must delete the IP or DNS address which is in bold text. After this you can assign a new Master Sunny WebBox.

3. In the first line select [Delete].

The Master Sunny Box is deleted.



4. Enter the IP address or DNS address of the new Master Sunny WebBox in the "IP or DNS address" field.

5. Activate "Master WebBox" field.

6. Select [Add].

- The IP address or DNS address of the Master Sunny WebBox is in the "Registered IP and DNS addresses:" area in the first line and is in bold text.

The IP or DNS Address of the new Master Sunny WebBox is now listed twice. You must delete the IP or DNS address which is not in bold text.

7. Select [Delete] in the line of the doubled and not in bold text IP or DNS Address.

- The double IP or DNS Address is deleted.
- The Master Sunny Box is changed.

8.8 Restarting Sunny Matrix

1. Select "Settings > System".
2. In the "Sunny Matrix Software:" area, select [Implement] in the field "New Start.".
 - The "Sunny Matrix- New Start" window opens.
3. Select [OK].
- The Sunny Matrix restarts. This procedure takes ca. 20 seconds.

8.9 Restoring factory settings (reset)



All settings will be deleted!

After the reset, all settings of the Sunny Matrix are deleted, including the network settings, the defined displays and the factory predefined standard slide show.

The Sunny Matrix is again reachable via the factory settings after the reset:

- IP address: 192.168.0.169
- Subnet mask 255.255.255.0
- User name: sunnymatrix
- Password: sma

Save settings before the reset with the Sunny Matrix Admin Tool.

You can save the configuration of the Sunny Matrix using the Sunny Matrix Admin Tool and after the reset again transfer to the Sunny Matrix.

You can restore the factory settings of the Sunny Matrix using two methods which are described in the following:

- User interface
- Reset button

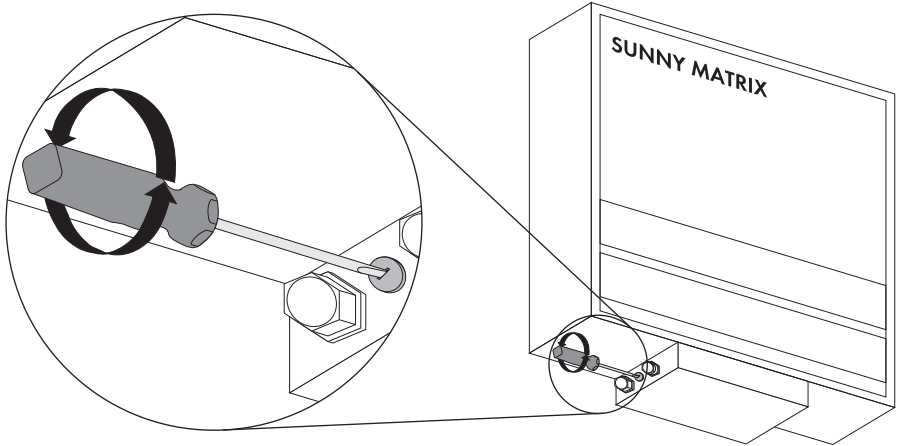
User interface

1. Select "Settings > System".
 2. In the "Sunny Matrix Software:" select [restore] in the "Factory Settings" field.
 A pop-up window opens.
 3. Select [OK].
 4. Close window.
- The Sunny Matrix has been reset to the factory settings. The Sunny Matrix restarts. This procedure takes around 30 seconds.

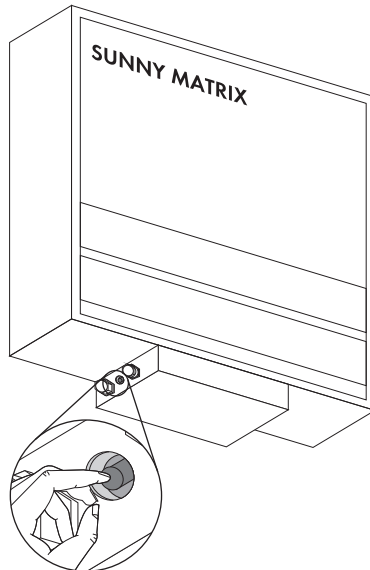
Reset button

The reset button can be found on the connection box of the Sunny Matrix behind the dummy plugs.

1. Remove the dummy plugs on the connection box of the Sunny Matrix with a slit screwdriver.



2. In the respective hole push and hold the reset button for 5 seconds.

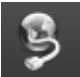


3. Reinsert the dummy plugs and screw tightly with a slit screwdriver.

- The Sunny Matrix has been reset to the factory settings. The Sunny Matrix restarts. This procedure takes around 30 seconds.

8.10 Updating the firmware

Updating the Sunny Matrix can only be carried out using the Sunny Matrix Admin Tool. You can download the Sunny Matrix Admin Tool from the download area at www.SMA.de/en. When you save the Sunny Matrix settings with the Sunny Matrix Admin Tool, all settings remain after the firmware update. If you do not save the settings, all Sunny Matrix settings will be lost.

1. Install Sunny Matrix Admin Tool as described in its user manual.
2. If there are several Sunny Matrix devices, select the desired Sunny Matrix in the Sunny Matrix Admin Tool so that the line of the Sunny Matrix has a blue background.
3. In the Sunny Matrix Admin Tool select the symbol for the Sunny Matrix Firmware Update.
 
 - A window with the available files for the firmware update opens.
4. Select the desired version.
5. Select [Next].
 - A window for language selection opens.
6. Select the desired language for the interface of the Sunny Matrix.
7. Select [Next].
 - A window for saving the Sunny Matrix settings opens.

If	Then
The available Sunny Matrix settings should be saved and after the firmware update be automatically restored.	<ul style="list-style-type: none"> • Select "Yes". • Select [Next]. <ul style="list-style-type: none"> <input checked="" type="checkbox"/> A window for saving the file opens • Select [Save]. <ul style="list-style-type: none"> <input checked="" type="checkbox"/> The configuration is saved. • Select [OK].
The available settings of the Sunny Matrix are not necessary and can be deleted by the Firmware update.	<ul style="list-style-type: none"> • Select "No". • Select [Next].


- The firmware update starts and is automatically carried out.
8. Once the firmware update is complete, select [OK]
 - The firmware update has been completed.

9 Maintenance and Care

9.1 Maintenance

9.1.1 Replacing electricity cable

The electricity cable is not suitable for use outdoors. You must replace the electricity cable if you mount the Sunny Matrix outdoors or if the electricity cable is too short.

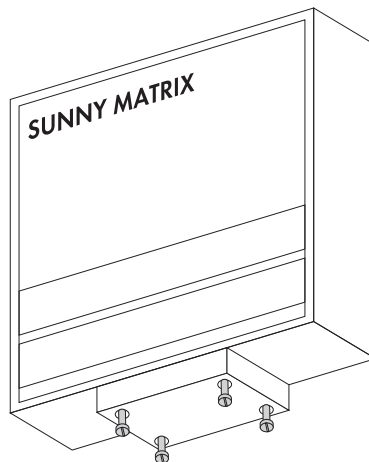
	<p>DANGER! Risk of lethal electric shock as a result of incorrect working on electrical devices.</p>
<ul style="list-style-type: none"> • All electrical work on the Sunny Matrix must only be carried out by qualified personnel. • The Sunny Matrix connection box may only be opened by qualified personnel. 	

Requirements of a new electricity cable

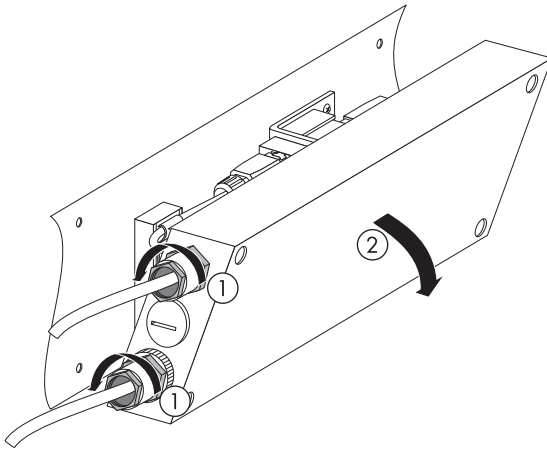
- You need an electricity cable with a wire cross-sectional area of maximum 2.5 mm².
- The electricity cable must be suitable for the laying location (outdoors or indoors).

Replacing electricity cable

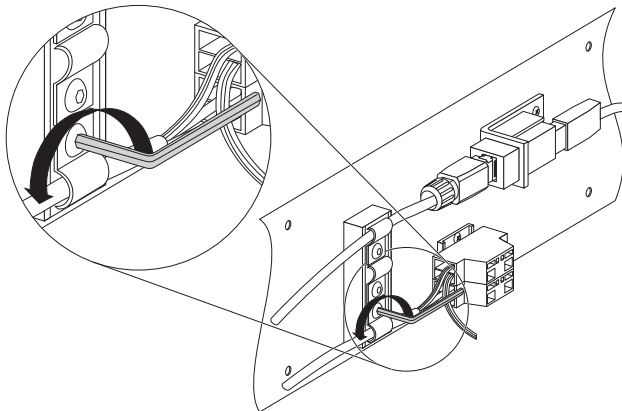
1. Remove the plug of the Sunny Matrix from the plug socket.
2. Remove the patch cable of the Sunny Matrix from the router / switch.
3. Loosen the 4 screws on the underside of the Sunny Matrix connection box and open the connection box.



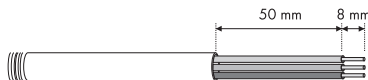
4. Loosen the PG threaded joints on both cable feeds until the cable is moveable and the connection box can flip downwards. Flip down the connection box.



5. Loosen the screws in the terminals, to relieve the electricity cable.

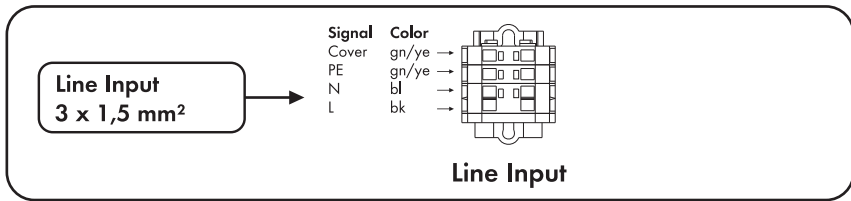


6. Loosen the wires of the electricity cable with a slit screwdriver from the terminal strip.
7. Pull the electricity cable through the PG threaded joint from the connection box.
8. Guide the new electricity cable through the PG threaded joint.
9. Remove 50 mm of the cable cover.



10. Strip 8 mm off the insulated wires.

11. Connect the electricity cable wires, as shown on the connection plan label.



12. Lay the electricity cable in the clamp so that the wires are not under tension. Firmly screw the clamp screws. The clamps serve as strain relief and secure the wires against loosening.
 13. Pull the cable out of the connection box until the connection box can snap closed. The cables may not be under strain.
 14. Tightly screw the threaded joints of the cable feeds.
 15. Close the connection box with the 4 screws.
 16. Connect the power supply as described in section 6.2 "Connecting the power supply" (page 27).
 17. Connect the Ethernet network as described in section 6.3 "Network Integration" (page 28).
- The electricity cable is replaced.

9.1.2 Replacing or extending the patch cable

If the Sunny Matrix patch cable is too short, you can extend the patch cable with the supplied adaptor or replace the patch cable. The adaptor is only suitable for use indoors.

Requirements of a new patch cable

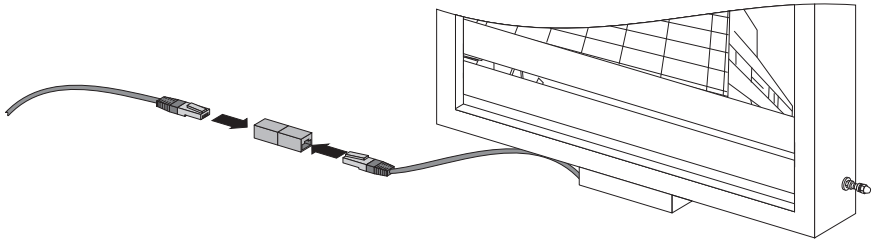
- Use a cable of the category 5 (STP Cat 5) or higher. The cable must meet the following requirements as a minimum:
 - shielded
 - Twisted pair conductors
- If the patch cable is to be laid outdoors, the patch cable must be UV resistant. You can also use a patch cable for indoor use, if you protect the patch cable in a respective cable channel from UV radiation.
- The maximum allowable length of patch cable is 100 m per connection.

Extending the patch cable indoors with the supplied adaptor



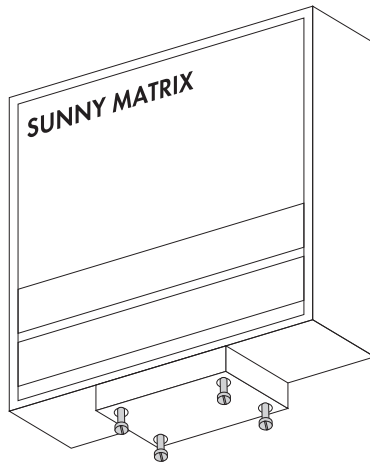
The adaptor is not suitable for outdoor use.

The adaptor is not waterproof. You may only use the adaptor indoors. If this is not possible, you can replace the patch cable.

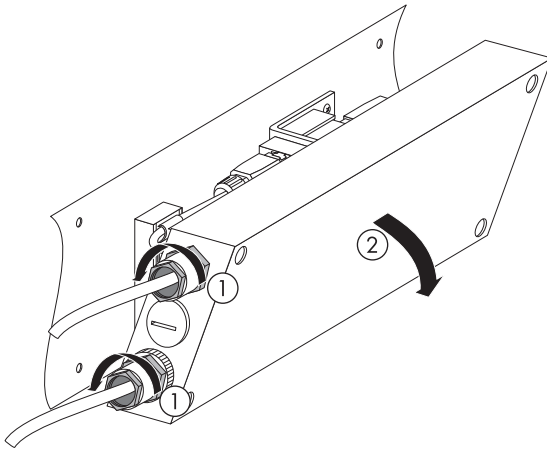


Replacing the patch cable

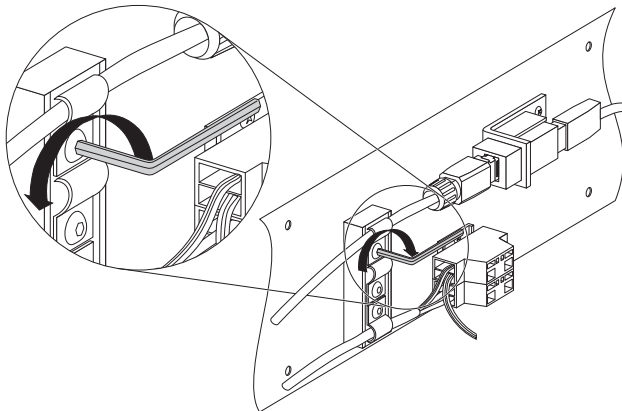
1. Remove the plug of the Sunny Matrix from the plug socket.
2. Remove the patch cable of the Sunny Matrix from the router / switch.
3. Loosen the 4 screws on the underside of the Sunny Matrix connection box and open the connection box.



- Loosen the PG threaded joints on both cable feeds until the cable is moveable and the connection box can flip downwards. Flip down the connection box.

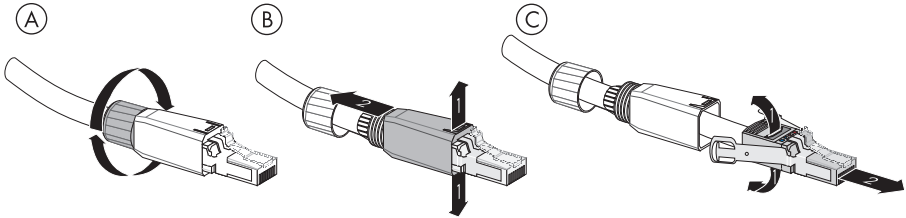


- loosen the screws in the terminals, to relieve the patch cable.

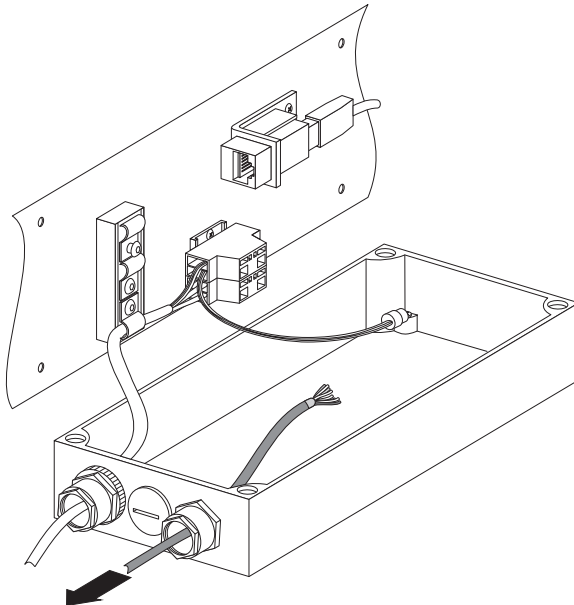


- Remove the patch cable from the clamp.
- Pull out the RJ45 plug of the patch cable in the connection box.

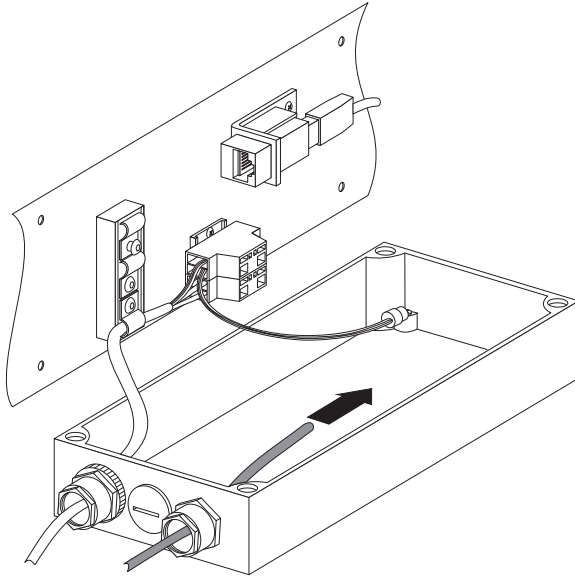
8. Dismantle the RJ45 plug from the patch cable as shown in the diagram. Remove all 3 parts of the cable and put to one side.



9. Pull the patch cable through the PG threaded joint from the connection box.

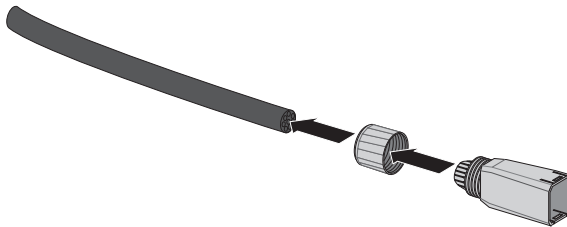


10. Insert one end of the new patch cable without RJ45 plug through the cable gland in the connection box.

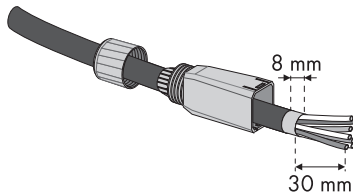


Affixing the RJ45 plug to the new patch cable

11. Lead the pressure nut and the plug housing onto the new patch cable.

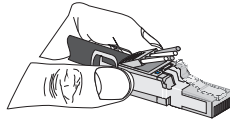


12. Remove 30 mm of cable sheath.

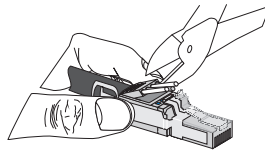


13. Shorten the cable shield of the patch cable to 8 mm and fold it back.

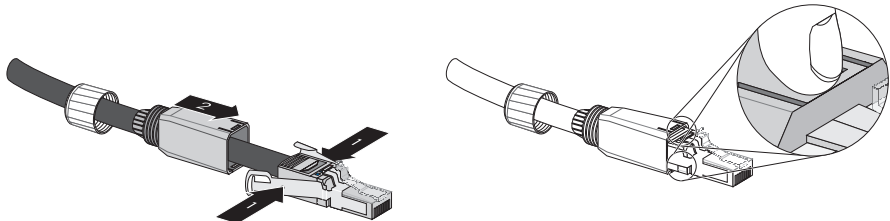
14. Loosen the twisting of the wires.
15. clip open the clip on the plug.
16. Loosely brace the cover clips of the plug.
17. Lay out the wires as per the colored marks on the plug.
18. Lead the individual wires into the color matching opening of the clamps.
19. Press the cover clips on the cover of the cable together and hold firmly. Thus the wires no longer slip out of the openings.



20. Cut the wires with side cutters.

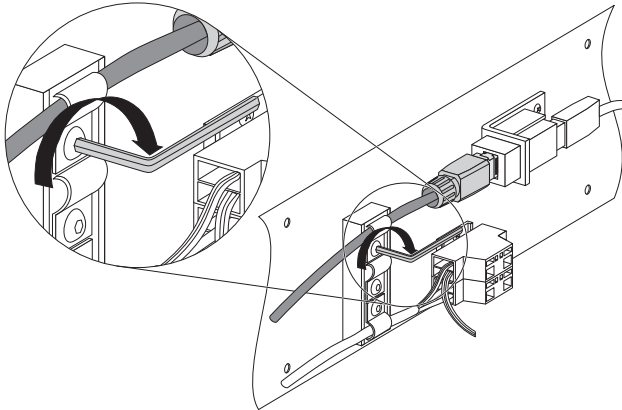


21. Press the clamps together in order that the wires contact. If necessary press the clamps together with pliers.
22. Push the plug housing onto the plug as in the diagram and press on the clamps.



23. Screw the pressure nut onto the plug housing.
 - The RJ45 plug is attached to the new patch cable.
24. Plug the RJ45 plug into the RJ45 socket of the connection box.

25. Lay the patch cable in the clamp so that the RJ45 plug is not under strain. Firmly screw the clamp screws. The clamps serve as strain relief and secure the RJ45 plug against loosening.



26. Pull the cable out of the connection box until the connection box can snap closed. The cables may not be under strain.
27. Tightly screw the threaded joints of the cable feeds.
28. Close the connection box with the 4 screws.
29. Connect the power supply as described in section 6.2 "Connecting the power supply" (page 27).
30. Connect the Ethernet network as described in section 6.3 "Network Integration" (page 28).
- The patch cable is replaced.

9.2 Care

Clean the Sunny Matrix with a soft, non-corrosive cleaner and a damp cloth. The cloth must be of non-scratching material, so that the interface of the surface of the Sunny Matrix is not damaged.

10 Decommissioning

10.1 Disassembling the Sunny Matrix

1. Remove the plug of the Sunny Matrix from the plug socket.
 2. Remove the patch cable of the Sunny Matrix from the router / switch.
 3. Un-hang the Sunny Matrix.
- The Sunny Matrix is disassembled.

10.2 Packaging the Sunny Matrix

When returning the device to us, use packaging which adequately protects the device from damage during transport (if possible, the original packing). If you no longer have the original packaging, you can order a Sunny Matrix package from SMA Solar Technology. The package is free of charge, if the reason for the return is for repair of the Sunny Matrix and the repair is covered by the Sunny Matrix warranty.

10.3 Storing the Sunny Matrix

Store the Sunny Matrix in a dry place where the ambient temperature is always between -25 °C and $+60\text{ °C}$.

10.4 Disposing of the Sunny Matrix

Please dispose of the Sunny Matrix at an authorized disposal company.

11 Troubleshooting

Problem	Cause	Rectification
Pop up window The pop up window does not open.	Pop up windows are blocked by the web browser or additional programs (e.g. Google Toolbar).	Set in the web browser and when necessary in additional programs that pop up windows are to be allowed.
Preview The preview is not displayed.	The is no Adobe Flash Player installed on the computer.	Install a Adobe Flash Player on the computer.
Load time The pages do no load immediately.	The load time of some pages can be up to 10 seconds (e.g. for individual slides)	
The Sunny Matrix displays right angles.	A special character was entered in a slide that the Sunny Matrix does not recognize.	Set the special character as described in section 8.6.1 "Setting special characters" (page 51).
	A special character was entered in the web browser for the Web Text that the Sunny Matrix does not recognize.	Enter the special character as described in section 8.6.2 "Special characters for the Web Text" (page 53).
Display is empty The Sunny Matrix shows nothing on the display.	The Sunny Matrix has no connection to the Sunny WebBox and the standard slide show is switched on, but is empty.	Switch the standard slide show off or set the standard slide show as described in section 7.7 "Standard slide show (10)" (page 44).
The Display flickers	A slide uses display areas which use the same modules.	Check the set display areas or do not use display areas that use the same modules in one slide.
Display flashes off shortly	Only 1 slide is set in the slide show. A display time of 120 seconds, for example, is set for this slide. After the display time, the Sunny Matrix flashes off shortly since the slide is newly loaded.	Set the display time for this slide to 0 seconds. When the display time is set to 0 seconds the Sunny Matrix displays the slide permanently. The Sunny Matrix does not have to reload the slide.
		Set further slides in the slide show.

Problem	Cause	Rectification
Display does not move on to the next slide.	<p>In the slide show with several slides, the display time of one of the slides has been set to 0 seconds.</p> <p>When the display time is set to 0 seconds the Sunny Matrix displays the slide permanently. With this setting, the Sunny Matrix does not change to the next slide.</p>	<p>Change the display time of the slide from 0 seconds to a display time longer than 0 seconds.</p>
<p>Connection</p> <p>There is no connection to the Sunny WebBox</p>	<p>The Sunny WebBox is not connected to the Ethernet network or integrated.</p>	<p>Integrate the Sunny WebBox into the Ethernet network as described in the Sunny WebBox manual.</p>
Password lost		<p>Carry out a reset of the Sunny Matrix via the reset button as described in section 8.9 "Restoring factory settings (reset)" (page 58).</p>
Forgotten IP Address		<p>Carry out a reset of the Sunny Matrix via the reset button as described in section 8.9 "Restoring factory settings (reset)" (page 58).</p>
<p>User interface</p> <p>Pages of the user interface a incompletey displayed or not at all.</p>	<p>Settings on the Sunny Matrix user interface are being carried out at the same time as the Sunny Matrix Admin Tool is being used.</p>	<p>Do not access the Sunny Matrix via the user interface and the Sunny Matrix Admin Tool at the same time.</p>
<p>Time is incorrect</p> <p>The Sunny Matrix does not display the correct hour.</p>	<p>A Master Sunny WebBox is set as time source with a firmware version lower than 1.50.</p>	<p>Carry out a firmware update for the Master Sunny WebBox.</p> <p>Use the Sunny Matrix internal real time clock as time source.</p>

12 Technical Data

Communication	
Data logger communication	Ethernet
Interfaces	
Ethernet	10/100 Mbit/s, RJ45
Max. number of devices	
Ethernet (Sunny WebBox)	50
Max. communication range	
Ethernet	100 m
Power supply	
input voltage	100 V to 240 V AC, 50 Hz / 60 Hz
Power consumption	Typically 20 W + 5 W per 4-character display module
Current input	maximum 1.9 A
Environmental conditions during operation	
Ambient temperature	-25 °C to +60 °C
Protection rating	IP54
General data	
Dimensions (B/H/T)	800 mm x 400 mm x 120 mm 800 mm x 800 mm x 120 mm 800 mm x 1000 mm x 120 mm
Net Weight	approx. 15 kg (400 mm model) approx. 20 kg (800 mm model) approx. 25 kg (1000 mm model)
Shipping dimensions (W/H/D)	340 mm / 980 mm / 530 mm (400 mm model) 340 mm / 980 mm / 930 mm (800 mm model) 340 mm / 1175 mm / 930 mm (1000 mm model)
Gross Weight	approx. 40 kg (400 mm model) approx. 50 kg (800 mm model) approx. 60 kg (1000 mm model)
Mounting location	outdoor
Applicability	Wall mounting
Character height	51 mm
Character width	35.5 mm
Line length	4, 8, 12 or 16 characters
Number of lines	up to 2 lines (400 mm version) up to 4 lines (800 mm and 1000 mm version)

Line layout	positioning to customer specification
Foil design	artwork to customer specification
Features	
Operation	Integrated web server
Warranty, Certificates and Permits	www.SMA.de/en
Information displayed	
General information	time, date, personal text, personal web text
System data	Current output, daily yield, total yield, CO ₂ saving
Sunny SensorBox data	Ambient temperature, module temperature, Solar irradiation of the integrated irradiation sensor, wind speed
Sunny Island data	Battery charge level
Accessories	
Optional software	Sunny Matrix Admin Tool

13 Menu Overview

Start		Preview
Settings	System	Time settings <ul style="list-style-type: none"> • Time source WebBox • Date and time
		Device Settings <ul style="list-style-type: none"> • Brightness control • Space before unit • Hiding the unit • Banner text speed
		Passwords <ul style="list-style-type: none"> • Password
		Sunny Matrix Software: <ul style="list-style-type: none"> • Factory settings • Restart
		Network
	Network: <ul style="list-style-type: none"> • Obtain IP address • IP address • Subnet mask • Gateway address • DNS server addressDNS server address • Mac ID 	
	WebBox connection <ul style="list-style-type: none"> • IP address • Standard slide show 	
	Format	
	Yield <ul style="list-style-type: none"> • Power • Solar irradiation • Daily energy • Overall energy • CO2 saving 	
	General <ul style="list-style-type: none"> • Time • Date • Outside temp. • Module temp. 	
	Special characters	
Display	Slide show	
	Slide	
	Configuration	

14 Glossary

DNS (Domain Name System)/ DNS Address

DNS is a service which administers the name space of the internet. The main task of the DNS service is to find the IP addresses of internet site names (DNS addresses) and to create a connection.

A DNS address is the same as an IP address, only with a name, which is easier to remember than the number chain of an IP address. For most people it is easier to remember names than number chains.

If one in the internet calls up the www.SMA.de/en site by typing in the name of the internet site, the DNS service looks in a directory for the IP address (connection address e.g. "208.33.186.52") under which this internet address can be reached and creates a connection to this IP address. One can also set up a DNS address for devices which have a connection to the internet.

15 Contact

If you have technical problems concerning our products, contact the SMA Technical Service Line. We require the following information in order to provide you with the necessary assistance:

- Type of inverter
- Type of communication interface between Sunny WebBox and the inverters
- Sunny WebBox serial number
- Sunny Matrix serial number
- Firmware version of the Sunny Matrix

SMA Solar Technology AG

Sonnenallee 1

34266 Niestetal, Germany

www.SMA.de

SMA Serviceline

Inverters: +49 561 9522 1499

Communication: +49 561 9522 2499

Fax: +49 561 9522 4699

E-Mail: serviceline@SMA.de

The information contained in this document is the property of SMA Solar Technology AG. Publishing its content, either partially or in full, requires the written permission of SMA Solar Technology AG. Any internal company copying of the document for the purposes of evaluating the product or its correct implementation is allowed and does not require permission.

Exclusion of liability

The general terms and conditions of delivery of SMA Solar Technology AG shall apply.

The content of these documents is continually checked and amended, where necessary. However, discrepancies cannot be excluded. No guarantee is made for the completeness of these documents. The latest version is available online at www.SMA.de or from the usual sales channels.

Guarantee or liability claims for damages of any kind are excluded if they are caused by one or more of the following:

- Damages during transportation
- Improper or inappropriate use of the product
- Operating the product in an unintended environment
- Operating the product whilst ignoring relevant, statutory safety regulations in the deployment location
- Ignoring safety warnings and instructions contained in all documents relevant to the product
- Operating the product under incorrect safety or protection conditions
- Altering the product or supplied software without authority
- The product malfunctions due to operating attached or neighboring devices beyond statutory limit values
- In case of unforeseen calamity or force majeure

The use of supplied software produced by SMA Solar Technology AG is subject to the following conditions:

- SMA Solar Technology AG rejects any liability for direct or indirect damages arising from the use of software developed by SMA Solar Technology AG. This also applies to the provision or non-provision of support activities.
- Supplied software not developed by SMA Solar Technology AG is subject to the respective licensing and liability agreements of the manufacturer.

SMA Factory Warranty

The current guarantee conditions come enclosed with your device. These are also available online at www.SMA.de and can be downloaded or are available on paper from the usual sales channels if required.

Trademarks

All trademarks are recognized even if these are not marked separately. Missing designations do not mean that a product or brand is not a registered trademark.

The *Bluetooth*[®] word mark and logos are registered trademarks owned by Bluetooth SIG, Inc. and any use of such marks by SMA Solar Technology is under license.

SMA Solar Technology AG

Sonnenallee 1

34266 Niestetal

Germany

Tel. +49 561 9522-0

Fax +49 561 9522-100

www.SMA.de

E-Mail: info@SMA.de

© 2004 to 2010 SMA Solar Technology AG. All rights reserved

SMA Solar Technology AG

www.SMA.de

